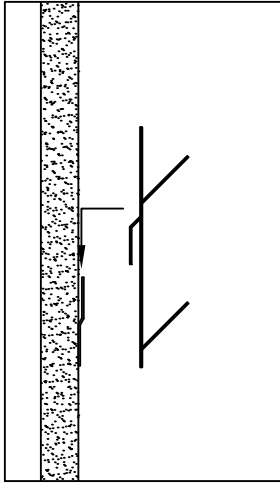
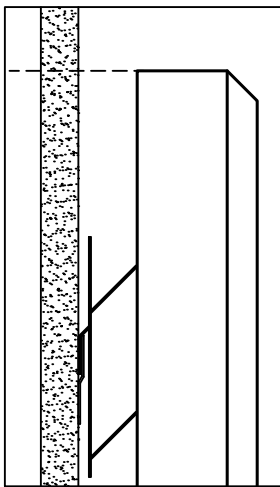


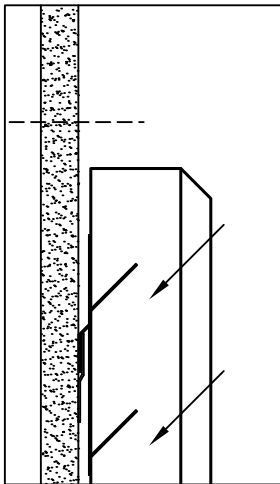
QTY./LENGTH				
	24"	48"	72"	96"
24"	4	4	6	8
48"	4	4	6	8
72"	6	6	-	-
96"	8	8	-	-



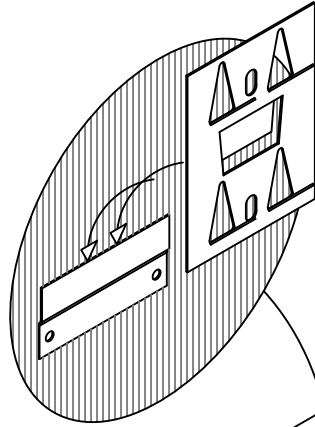
ATTACH Z-CLIPS
TO WALL, HANG
IMPALING CLIPS



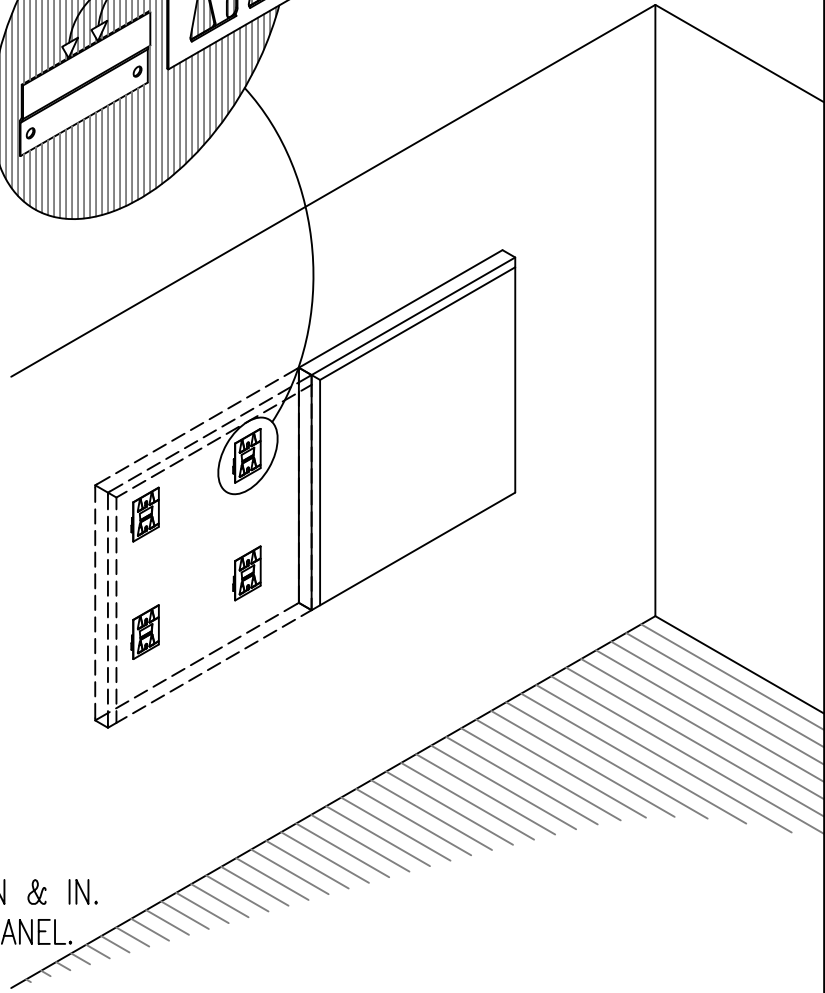
DRAW A LINE 1"
ABOVE DESIRED
HEIGHT.
GENTLY REST
PANEL AGAINST
CLIPS MAINTAINING
LEVEL WITH LINE.



PUSH FIRMLY DOWN & IN.
PIERCE BACK OF PANEL.



SCALED 5 X'S



RPG DIFFUSOR SYSTEMS, INC.

651-C Commerce Drive, Upper Marlboro MD 20774
Phone: 301-249-0044 * Fax: 301-249-3912
Email: info@rpginc.com

Title: RPG ABSORBOR PANEL
MOUNTING #2 IMPALING Z-CLIPS

Proj: RPG MOUNTING

Date: 3/24/09

By: WRM

Scale: 3/4" = 1'-0"

Comments:

Path: M:\Products New\ABSP_Absorbor Panel\ABSPS_Standard Absorbor Panel\CAD_DWG\Absorbor Panel Mounting