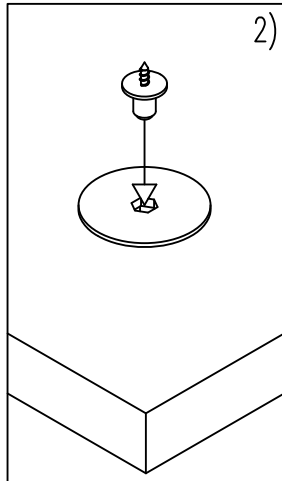


1)

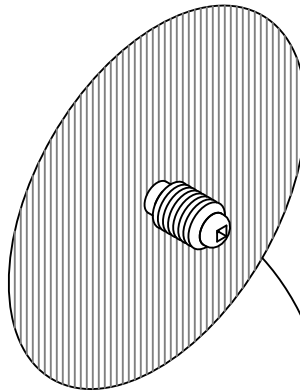
ATTACH ROTOFAST ANCHOR



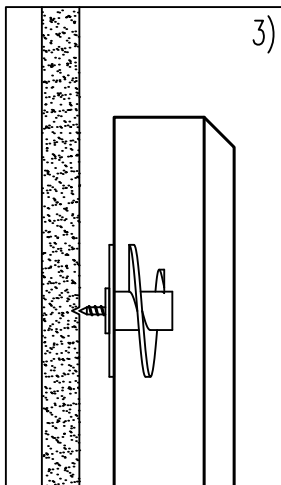
2)

INSERT MARKER SCREW

QTY./LENGTH				
	24"	48"	72"	96"
24"	4	4	6	8
48"	4	4	6	8
72"	6	6	-	-
96"	8	8	-	-

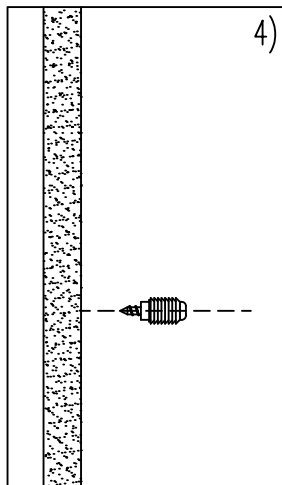


SCALED 10 X'S



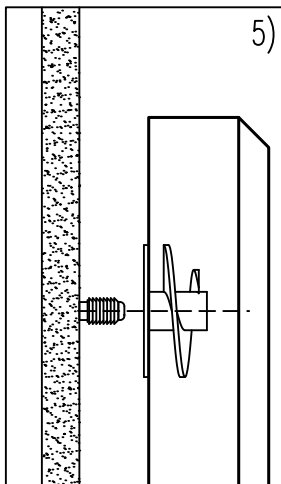
3)

MARK WALL



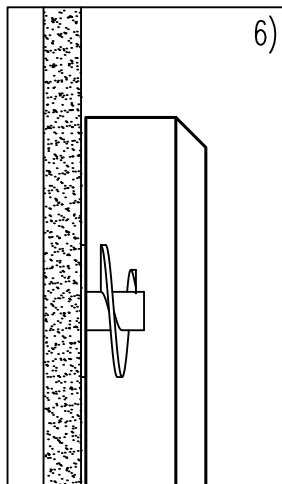
4)

MOUNT STUDS



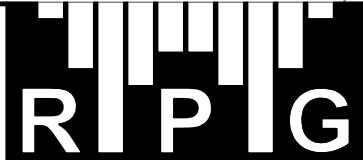
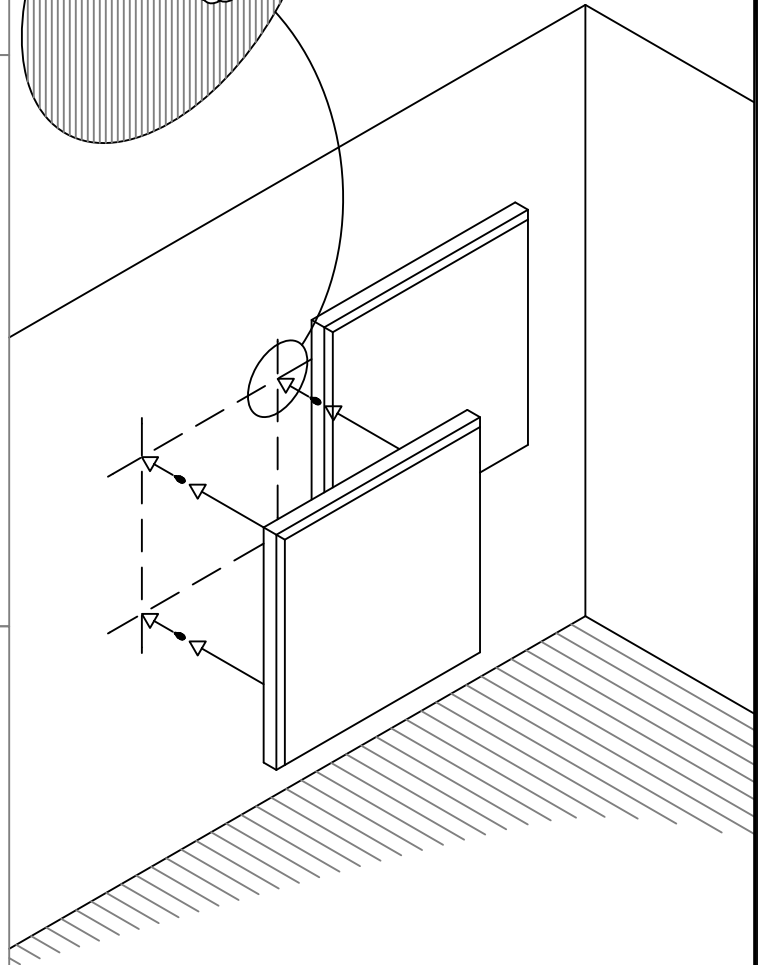
5)

REMOVE MARKER SCREW



6)

SNAP PANEL ONTO STUDS



**RPG DIFFUSOR SYSTEMS, INC.**

651-C Commerce Drive, Upper Marlboro MD 20774  
 Phone: 301-249-0044 \* Fax: 301-249-3912  
 Email: info@rpginc.com

Title: RPG ABSORBOR PANEL MOUNTING #4 ROTOFAST SNAP-ON

Proj: RPG MOUNTING

Date: 3/24/09

By: WRM

Scale: 3/4" = 1'-0"

Comments:

Path: M:\Products New\ABSP\_Absorbor Panel\ABSPS\_Standard Absorbor Panel\CAD\_DWG\Absorbor Panel Mounting