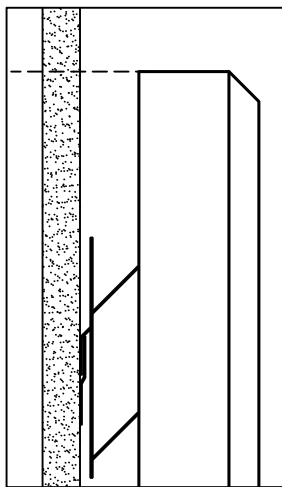
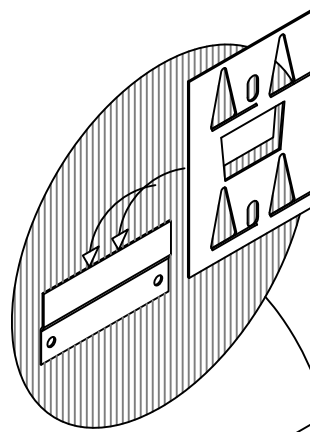


ATTACH Z-CLIPS  
TO WALL, HANG  
IMPALING CLIPS

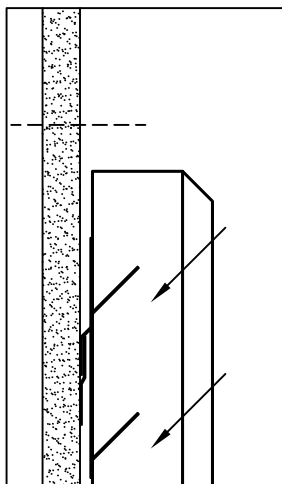
QTY./LENGTH				
	24"	48"	72"	96"
24"	4	4	6	8
48"	4	4	6	8
72"	6	6	-	-
96"	8	8	-	-



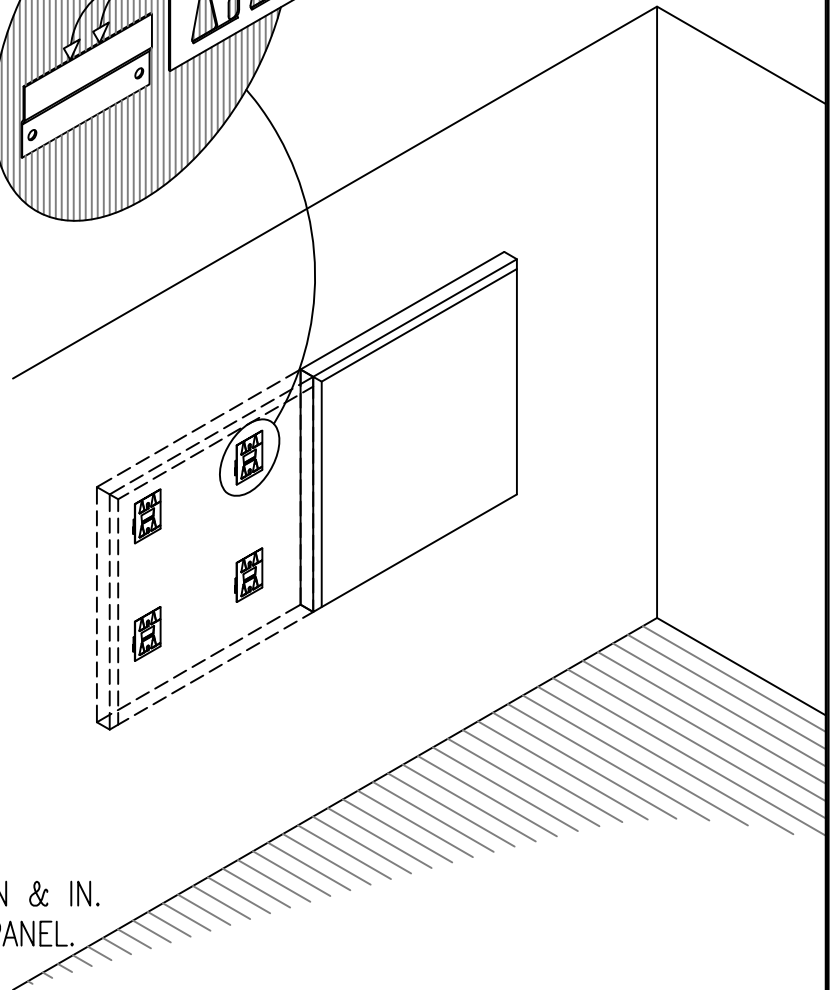
DRAW A LINE 1"  
ABOVE DESIRED  
HEIGHT.  
GENTLY REST  
PANEL AGAINST  
CLIPS MAINTAINING  
LEVEL WITH LINE.



SCALED 5 X'S



PUSH FIRMLY DOWN & IN.  
PIERCE BACK OF PANEL.



**RPG DIFFUSOR SYSTEMS, INC.**

651-C Commerce Drive, Upper Marlboro MD 20774  
Phone: 301-249-0044 \* Fax: 301-249-3912  
Email: info@rpginc.com

Title: RPG ABSORBOR PANEL  
MOUNTING #2 IMPALING Z-CLIPS

Proj: RPG MOUNTING

Date: 3/24/09

By: WRM

Scale: 3/4" = 1'-0"

Comments:

---



---



---



---

Path: M:\Products New\ABSP\_Absorbor Panel\CAD\_DWG\_Absorbor Panel Mounting