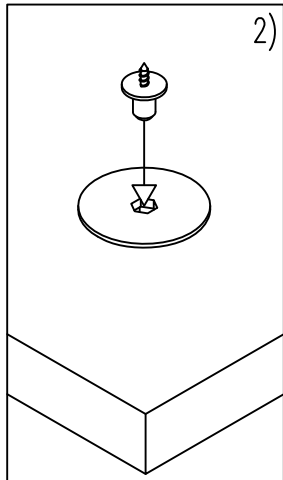


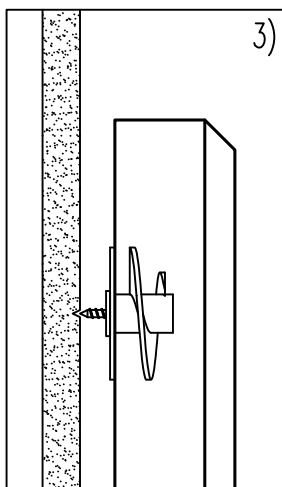
1)

ATTACH ROTOFAST™ ANCHOR



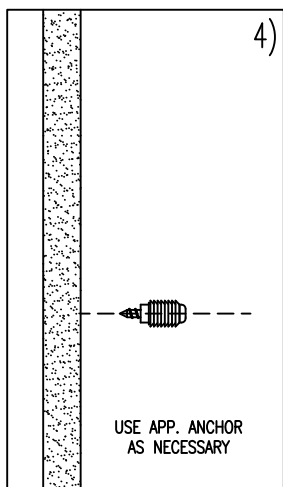
2)

INSERT MARKER SCREW



3)

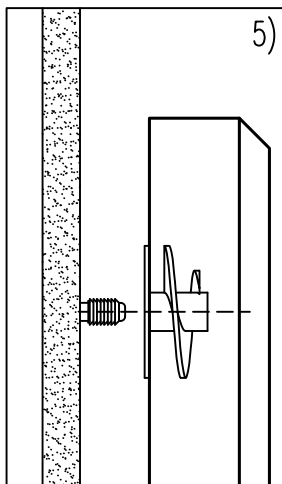
MARK WALL



4)

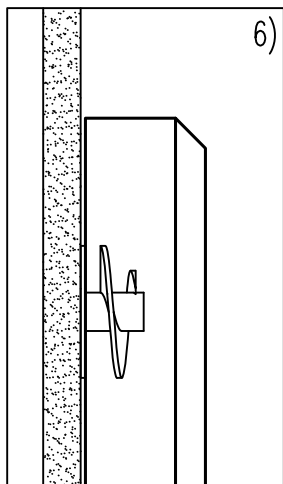
USE APP. ANCHOR
AS NECESSARY

MOUNT STUDS



5)

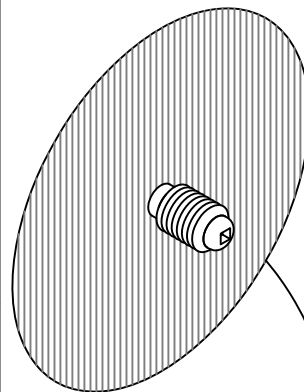
REMOVE MARKER SCREW



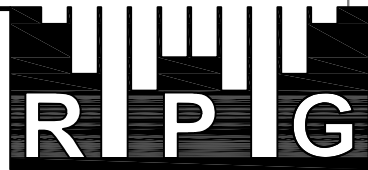
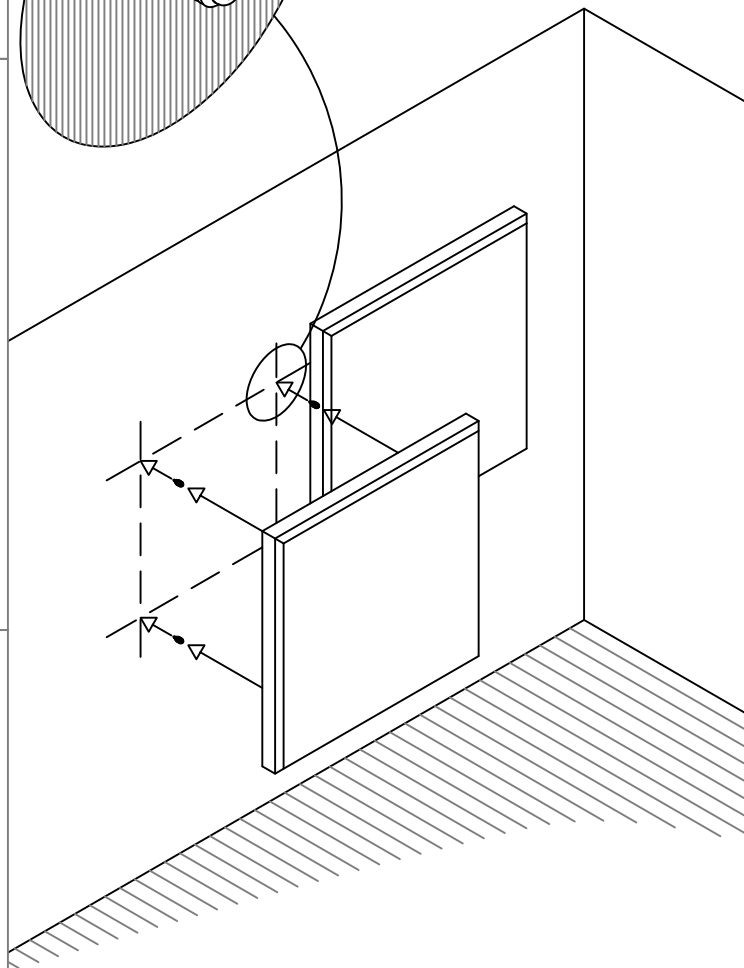
6)

SNAP PANEL ONTO STUDS

QTY./LENGTH				
	24"	48"	72"	96"
24"	4	4	6	8
48"	4	4	6	8
72"	6	6	-	-
96"	8	8	-	-



SCALED 10 X'S



RPG DIFFUSOR SYSTEMS, INC.

651-C Commerce Drive, Upper Marlboro MD 20774
Phone: 301-249-0044 * Fax: 301-249-3912
Email: info@rpginc.com

Title: RPG ABSORBOR PANEL
MOUNTING # 4 ROTOFAST™ SNAP-ON

Proj: RPG MOUNTING

Date: 3/24/09

By: WRM

Scale: 3/4" = 1'-0"

Comments:

Path: M:\Products New\ABSP_Absorbor Panel\CAD_DWG_Absorbor Panel Mounting