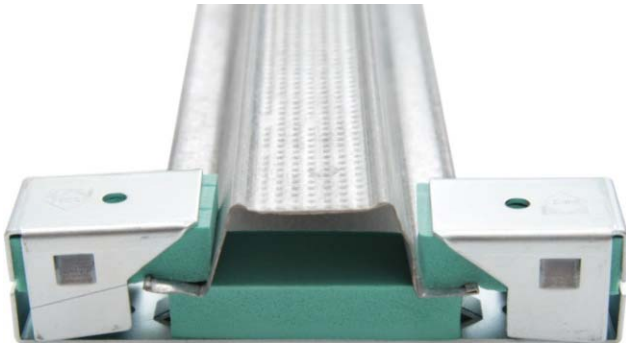




Decoupling for Wall Boards Resilient Wall Clip

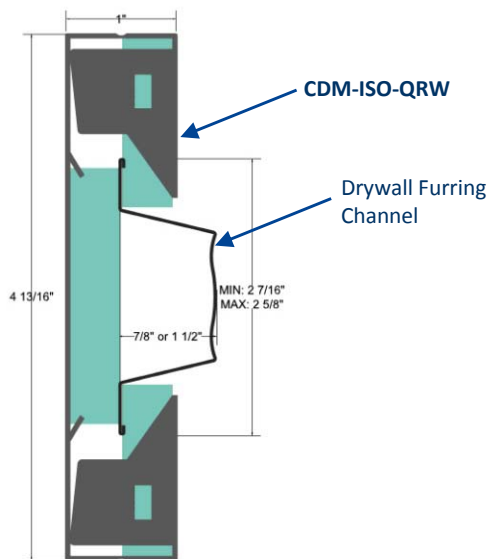


CDM-ISO-QRW Resilient Wall Clips enables wall board material to be mechanically fixed without transmission of sound energy.

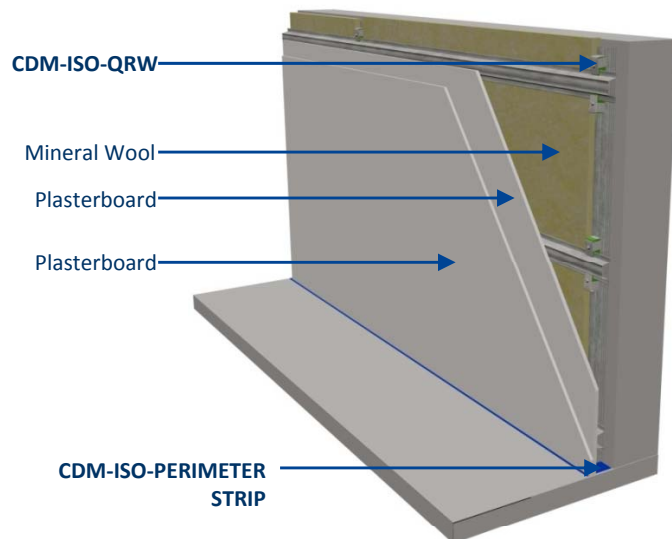
The **CDM-ISO-QRW** clip can be used with drywall “hat” furring channel (20-25 ga, 7/8” or 1½” height). During installation, the resilient material is precompressed to achieve a resonance frequency of approximately 8 Hz.

Features:

- Cost effective
- Quick & easy to install
- Compression limiter ensures optimal loading
- Minimum build-in depth



Installation of CDM-ISO-QRW



Installation:

- Install **CDM-ISO-PERIMETER-STRIP**
- Adhere **CDM-ISO-QRW** to support surface
- Insert drywall furring channel
- Screw wings down with (2) drywall screws
- Install board materials to furring channels

TECHNICAL SPECIFICATIONS

- Fits standard drywall furring channels (20-25 ga, 7/8” or 1½” height)
- Resonance frequency: 10-12 Hz





Decoupling for Wall Boards Resilient Wall Clip



FIELD OF APPLICATION

CDM-ISO-QRW Resilient Ceiling Clips have been specially developed for situations where a resilient fixation between wall board material (drywall) and a wall is required, without transmitting audible noise energy.

DESCRIPTION

The **CDM-ISO-QRW** element is specially designed to be used in combination with the standard drywall furring channel (20-25 ga, 7/8" height or 1½" height). The unit consists of a steel housing with three elastomer pads which resiliently mount the drywall furring channel. There is no contact between the steel housing of the clip and the furring channel.

The element is supplied in "open state" so that the standard hat channel can easily be attached to it, after which it must be manually closed. Closing of the unit and permanent fixation to the structural ceiling is achieved by means of two screws per element. The closing process puts the resilient pads under optimal precompression loading. The **CDM-ISO-QRW** is equipped with four precompression limiters to prevent overcompression while closing and fixing the unit in place.

CDM-ISO-QRW units are designed to obtain a **resonance frequency of approx. 10-12 Hz** when correctly installed.

Thanks to the unique design, a failsafe in case of fire is incorporated into the unit. In the event that the elastomers weaken or disintegrate, the furring channel will still be supported by the steel housing itself, after a downwards shifting of about 1/2" [12 mm].

Unit Dimensions: 4 13/16" [122 mm] x 1" [25 mm] x 1" [25 mm]





Decoupling for Wall Boards Resilient Wall Clip



RECOMMENDATIONS

- The furring channels are always to be installed **perpendicular** to the supporting structure.
- **Recommended spacing:** distance between furring channels max. 24" [~ 0.6 m]; distance between clips (along the same channel) max. 48" [~ 1.2 m]; distance to edge of ceiling or perimeter (edge cantilever distance) max. 6" [~ 0.15 m].
- When **closing/fixing** the clip to the structural ceiling with two standard screws, insure the wings of the unit (2 x 2 side legs) touch the structure for optimal precompression and performance.
- Make sure that every furring channel is attached by a **minimum 2 clips** for stability reasons. However always try to minimize the number of clips, as every connection (although resilient) still transmits some amount of sound energy. Verify spacing with the actual loading.
- In order to decouple the floating wall boards from the sidewalls, ceiling, and floor, the **CDM-ISO-QRW** clip must always be used in combination with **CDM-ISO-PERIMETER-STRIP**, a resilient strip.

