



Clearsorber DeAmp

# Window Installation Manual

## Vertical Window Installations

### L-profiles and Aluminum Trims

#### 1. When to Use

This system is designed to form an extension of the existing mullion in glazing systems without altering the visual design and appearance. Standard or custom sized panels can be mounted to the internal profiles completely without using screws or mechanical fasteners. The system is intended for installations where panels are jointed in only one direction. The sound absorbing panels can be mounted and dismantled without tools for easy maintenance.

#### 2. General Notes

- The system can be used with panels mounted in both the vertical and horizontal direction.

##### Vertical mounting:

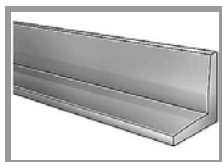
Maximum recommended glass element width:	4 feet (1219mm)
Maximum recommended glass element height:	unlimited
Recommended sound absorber panel width:	$\leq$ 4 feet (1219mm)
Recommended sound absorber panel height:	$\leq$ 4 feet (1219mm)

##### Horizontal (side by side) mounting:

Maximum recommended glass element width:	unlimited
Maximum recommended glass element height:	4 feet (1219mm)
Recommended sound absorber panel width:	$\leq$ 4 feet (1219mm)
Recommended sound absorber panel height:	$\leq$ 4 feet (1219mm)

- The micro slit perforation pattern will be adjusted to all custom sized panels to maintain perfect visual symmetry.
- Aluminum L-profiles and rectangular trims can be matched to the anodized color of the existing mullion.
- 3M Dual Lock fasteners enables several hundred cycles of mounting and dismantling for easy maintenance and cleaning.
- The sound absorbing panel should be slightly smaller than the window dimensions in order to allow panel thermal expansion. A distance of 1/16 of an inch (1.5-2mm) in each direction will be sufficient for indoor applications where temperature normally remain the same (+/- 20 degrees F).

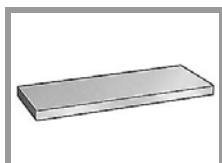
#### 3. Parts Needed



Aluminum L-profiles



VHB tape for L-profile attachment to mullion



Flat rectangular aluminum trims

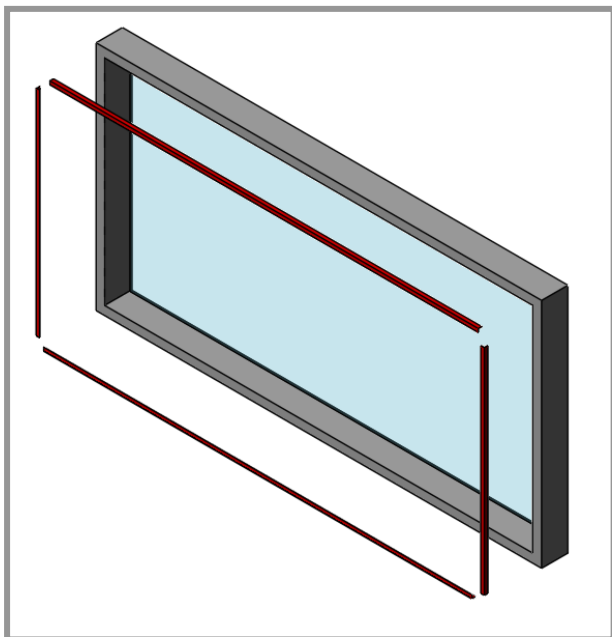


3M Dual Lock Reclosable Fastener for panel and trim attachment

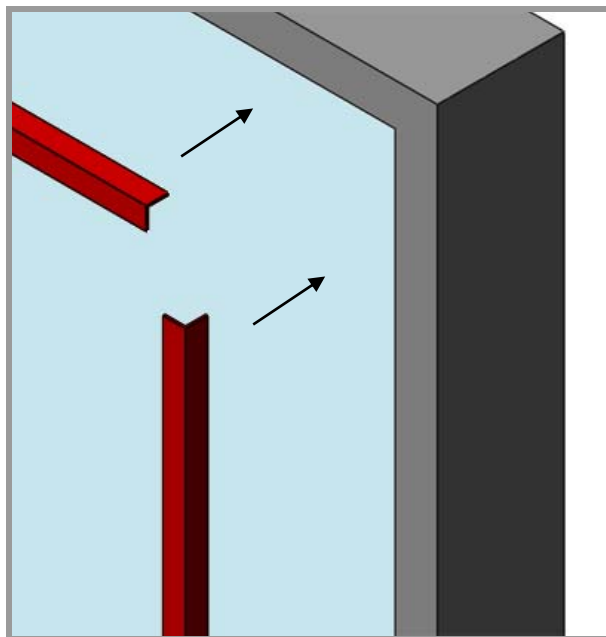


Sound absorbing panels without pre-drilled holes

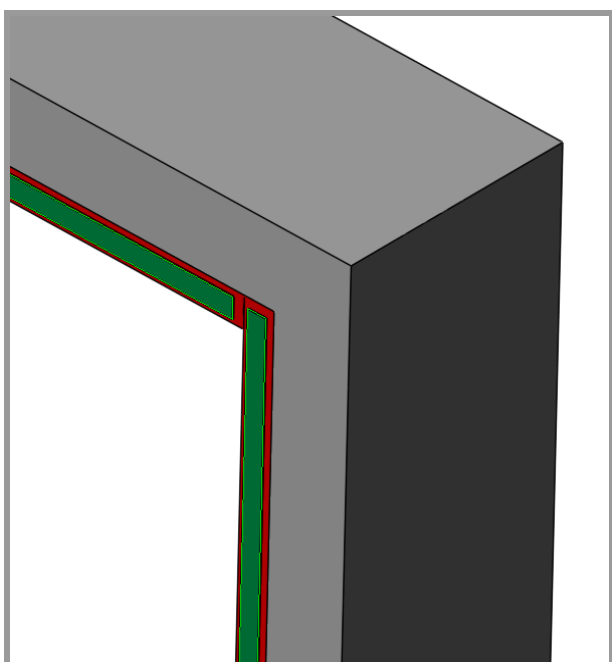
## 4. Mounting Instructions



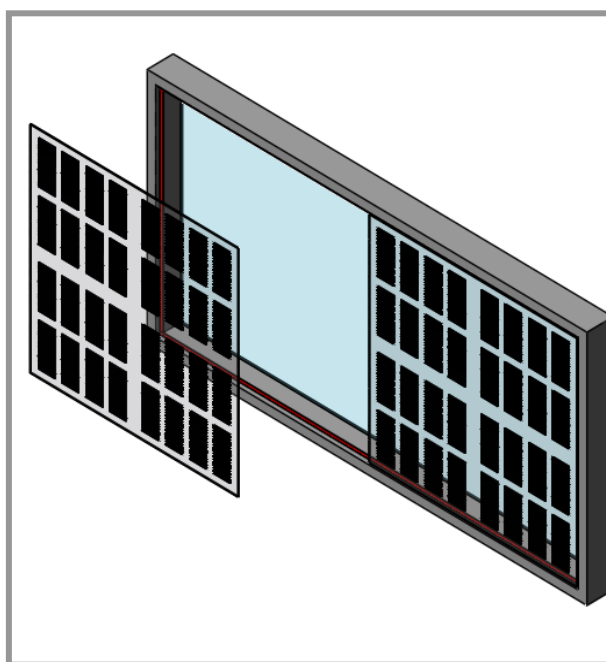
1. Mount aluminum L-profiles to the mullion on all four sides inside the window support profiles. Use VHB tape and install according to the tape mounting instructions. The L-profiles should be fitted to the exact dimension of the window mullion.



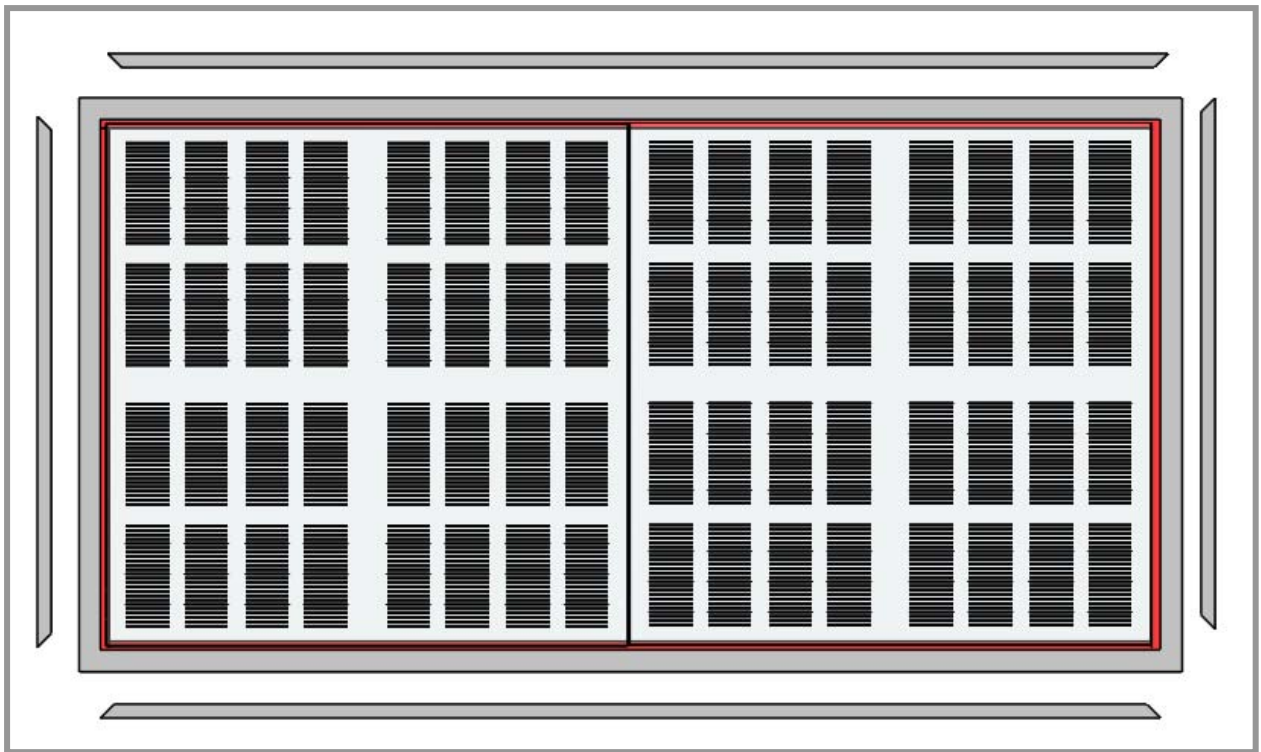
2. The L-profile should be placed so the sound absorbers are installed with a distance of 2.5 – 4 inches (60-100mm) from the window in most cases (see acoustical data).



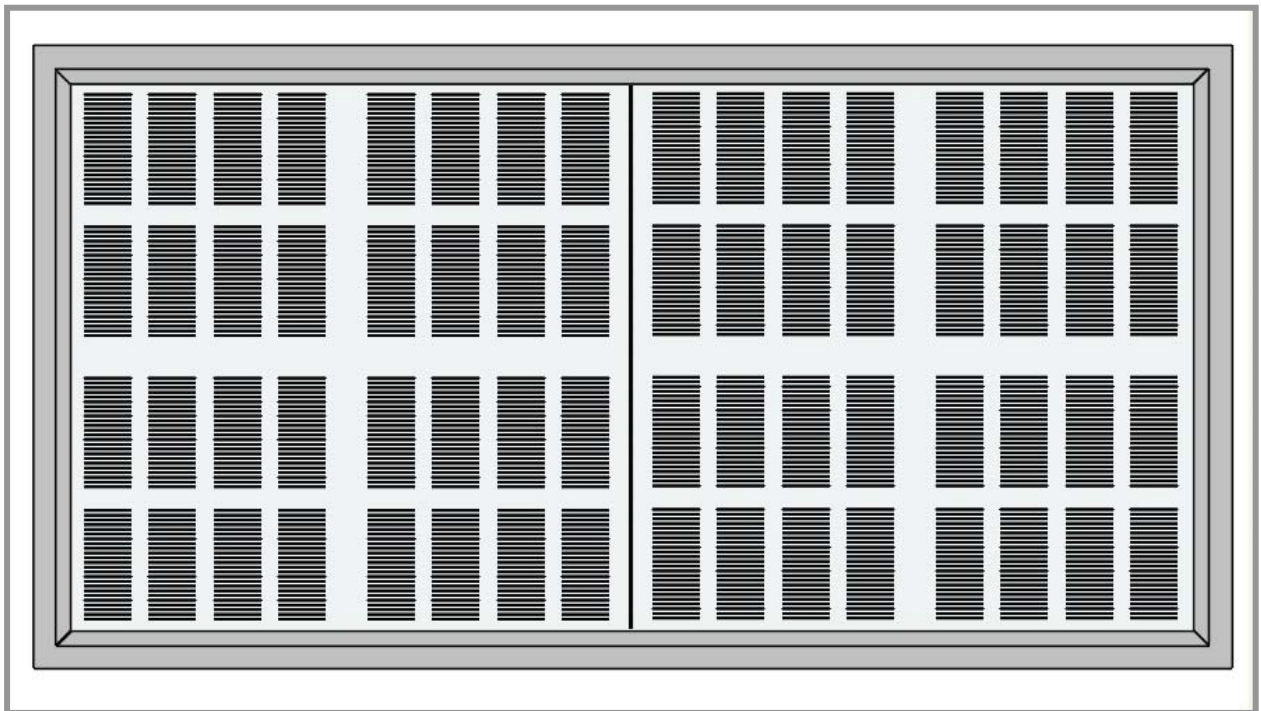
3. Apply 3M Dual Lock fasteners to the L-profiles according to 3M's instructions. Remember to leave a small gap to the mullion for panel thermal expansion.



4. Apply the sound absorbing panels to the Dual Lock fasteners. Due to thermal expansion, the panels should be mounted with a small gap to the mullion. A distance of 1/16 of an inch (1.5-2mm) in each direction will be sufficient for indoor applications where temperature normally remain the same (+/- 20 degrees F).



5. Apply 3M Dual Lock fasteners to front of the sound absorbing panels close to the mullion. These will be used to fasten the aluminum trims.



6. Mount the flat aluminum trims.

## 5. Options

- In installations where large window elements are covered with more than one sound absorbing panel, the panel seams can be covered with flat rectangular aluminum trims matching the existing mullion.
- Custom full size panels without any panel seams are available for most mullion systems.