

Title: **RPG DIFFRACTAL (2X2)**  
**EE-EH ARRAY**

Proj: **RPG PRODUCT**

Date: **3/27/2009** By: **WRM** Scale: **3/4"=1'**

Path: **M:\Products New\IN PROGRESS\_DIFR\_Diffractal\CAD\_DWG\Diffraction Mounting.dwg**

Comments:

---



---



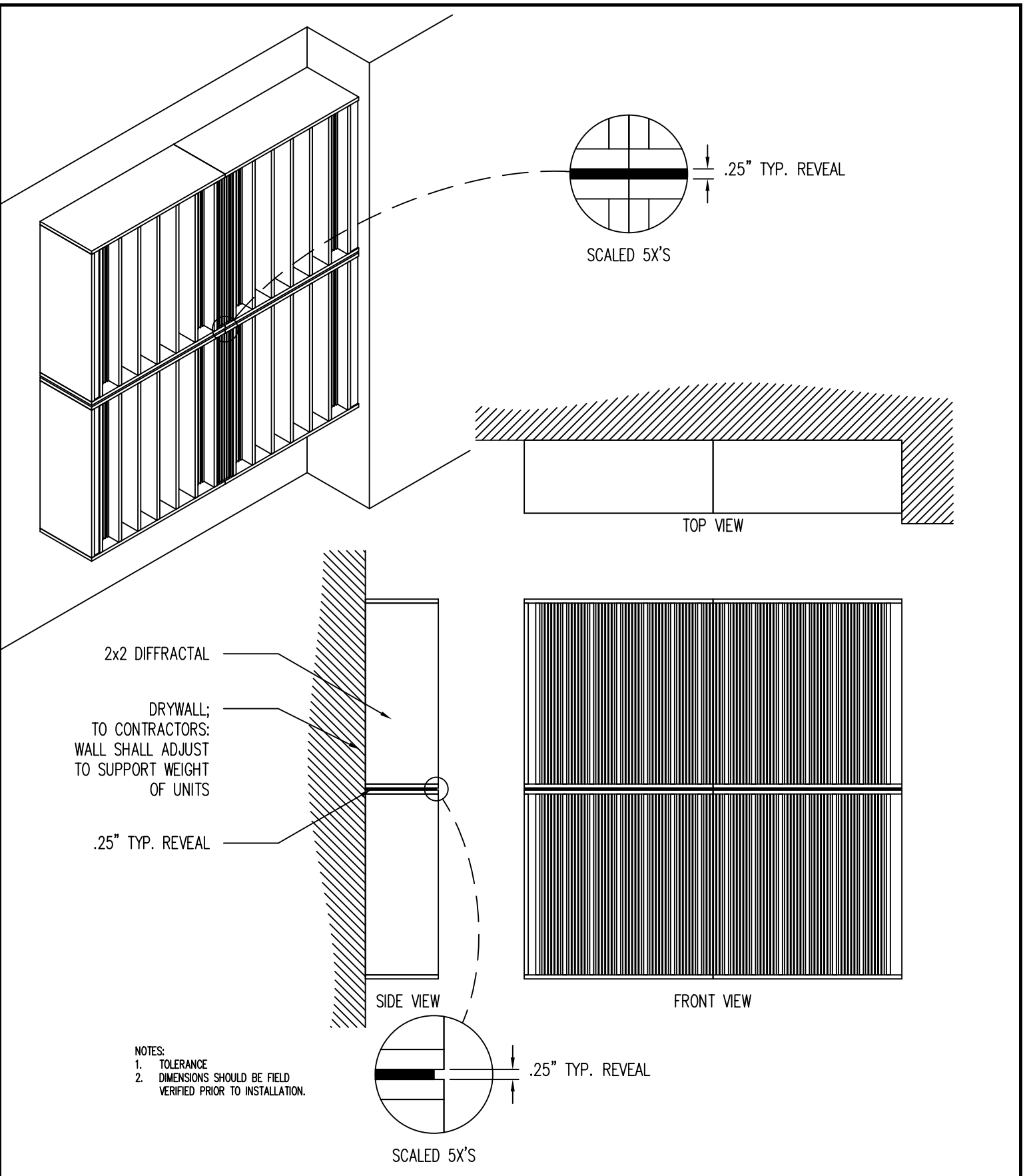
---



---



---



- NOTES:
1. TOLERANCE
  2. DIMENSIONS SHOULD BE FIELD VERIFIED PRIOR TO INSTALLATION.

**RPG**  
**RPG DIFFUSOR SYSTEMS, INC.**  
 651-C Commerce Drive, Upper Marlboro MD 20774  
 Phone: 301-249-0044 \* Fax: 301-249-3912  
 Email: info@rpginc.com

Title: **RPG DIFFRACTAL (2X2)**  
**EJ-JH ARRAY**

Proj: **RPG PRODUCT**

Date: **3/27/2009** By: **WRM** Scale: **3/4"=1'**

Path: **M:\Products New\IN PROGRESS\_DIFR\_Diffractal\CAD\_DWG\Diffractal Mounting.dwg**

Comments:

---



---



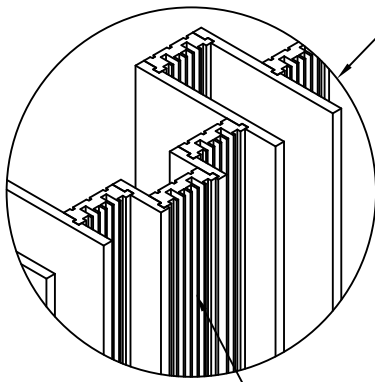
---



---

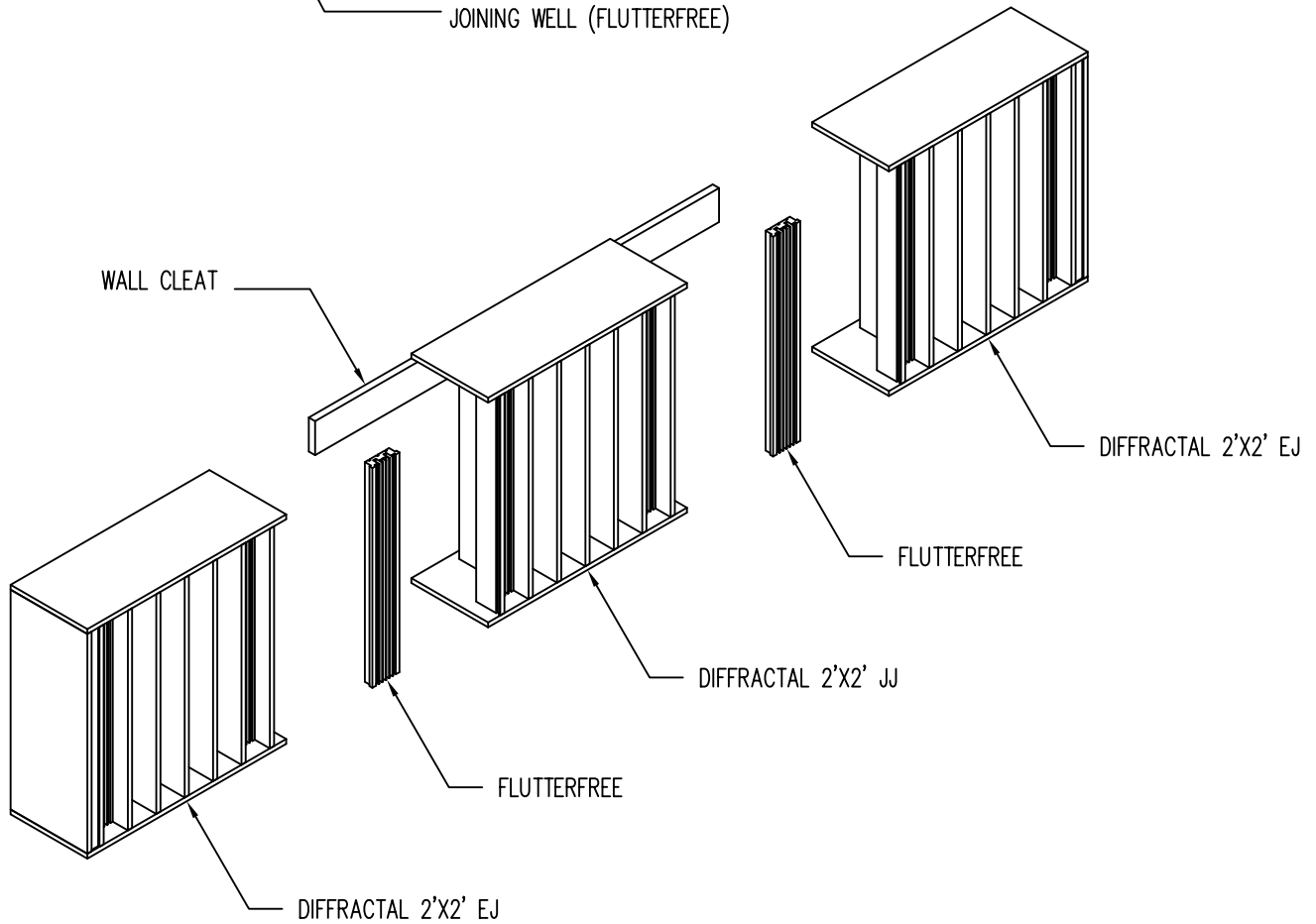


---



EXPLODED SECTION VIEW  
SHOWING JOINING WELL DETAIL  
SCALED 2X'S

JOINING WELL (FLUTTERFREE)



**RPG DIFFUSOR SYSTEMS, INC.**  
651-C Commerce Drive, Upper Marlboro MD 20774  
Phone: 301-249-0044 \* Fax: 301-249-3912  
Email: info@rpginc.com

Title: **RPG DIFFRACTAL (2X2)**  
**JOINING WELL**

Proj: **RPG PRODUCT**

Date: **3/27/2009** By: **WRM**

Scale: **3/4" = 1'**

Comments:

---



---



---

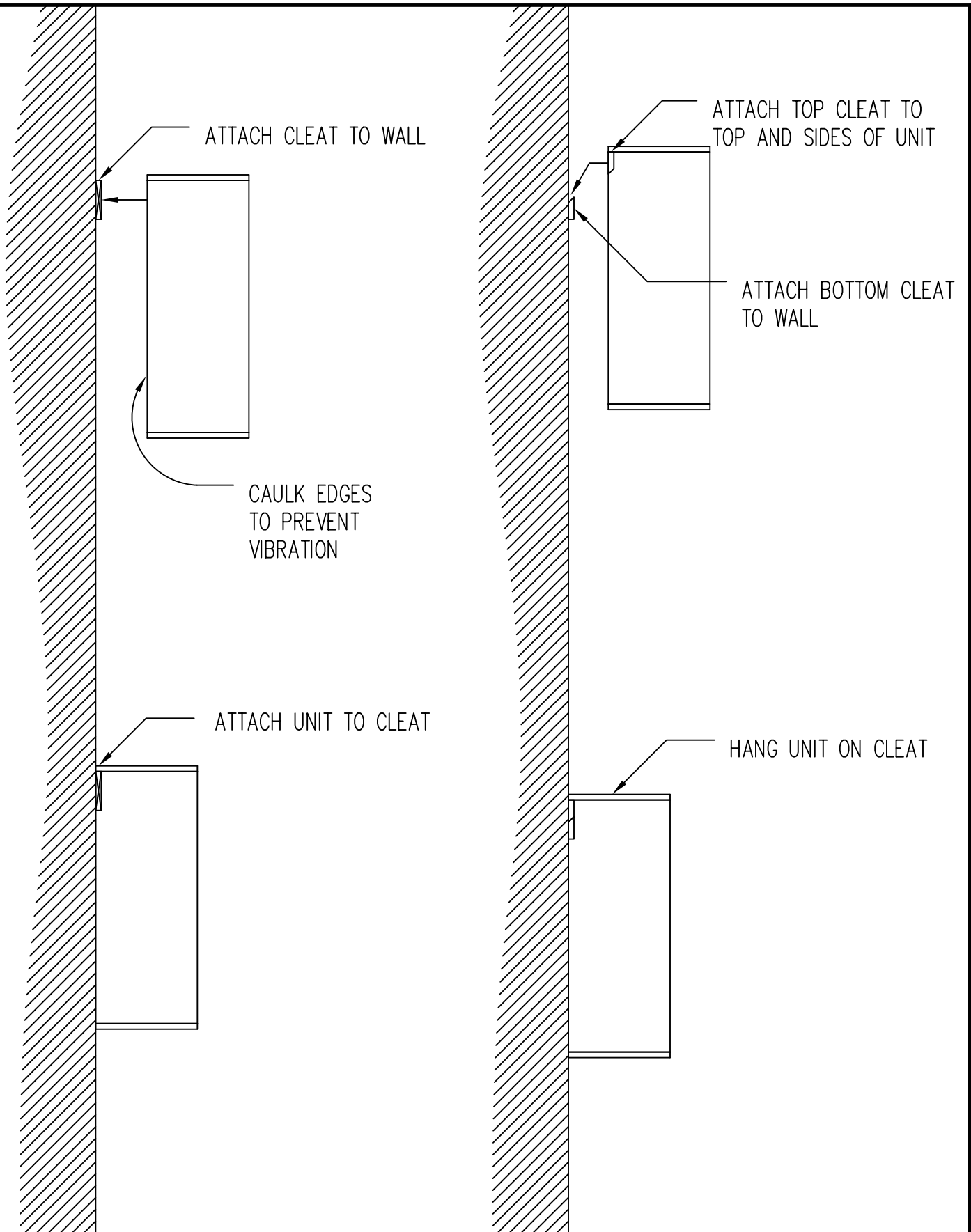


---



---

Path: **M:\Products New\IN PROGRESS\_DIFR\_Diffractal\CAD\_DWG\Diffractal Mounting.dwg**



**RPG DIFFUSOR SYSTEMS, INC.**  
 651-C Commerce Drive, Upper Marlboro MD 20774  
 Phone: 301-249-0044 \* Fax: 301-249-3912  
 Email: info@rpginc.com

**Title:** RPG DIFFRACTAL (2X2)  
 CLEAT AND BEVELED CLEAT

**Proj:** RPG PRODUCT

**Date:** 3/27/2009 **By:** WRM **Scale:** 1"=1'-0"

**Path:** M:\Products New\IN PROGRESS\_DIFR\_Diffractal\CAD\_DWG\Diffractal Mounting.dwg

**Comments:**

---



---



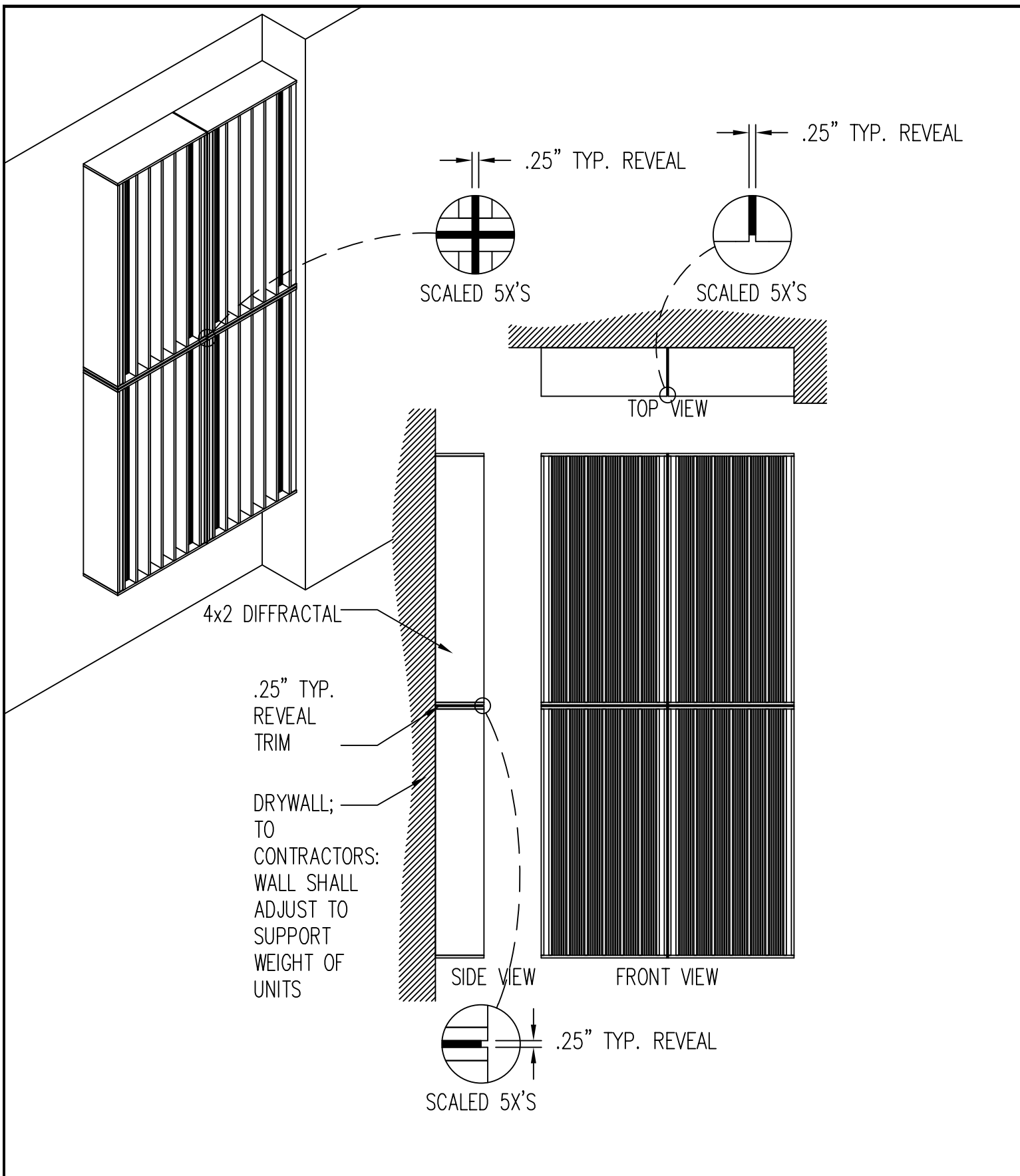
---



---



---



Title: RPG DIFFRACTAL (4X2)  
EE-EH ARRAY

Proj: RPG PRODUCT

Date: 3/27/2009 By: WRM Scale: 3/4" = 1"

Path: M:\Products New\IN PROGRESS\_DIFR\_Diffractal\CAD\_DWG\Diffractal Mounting.dwg

Comments:

---



---



---

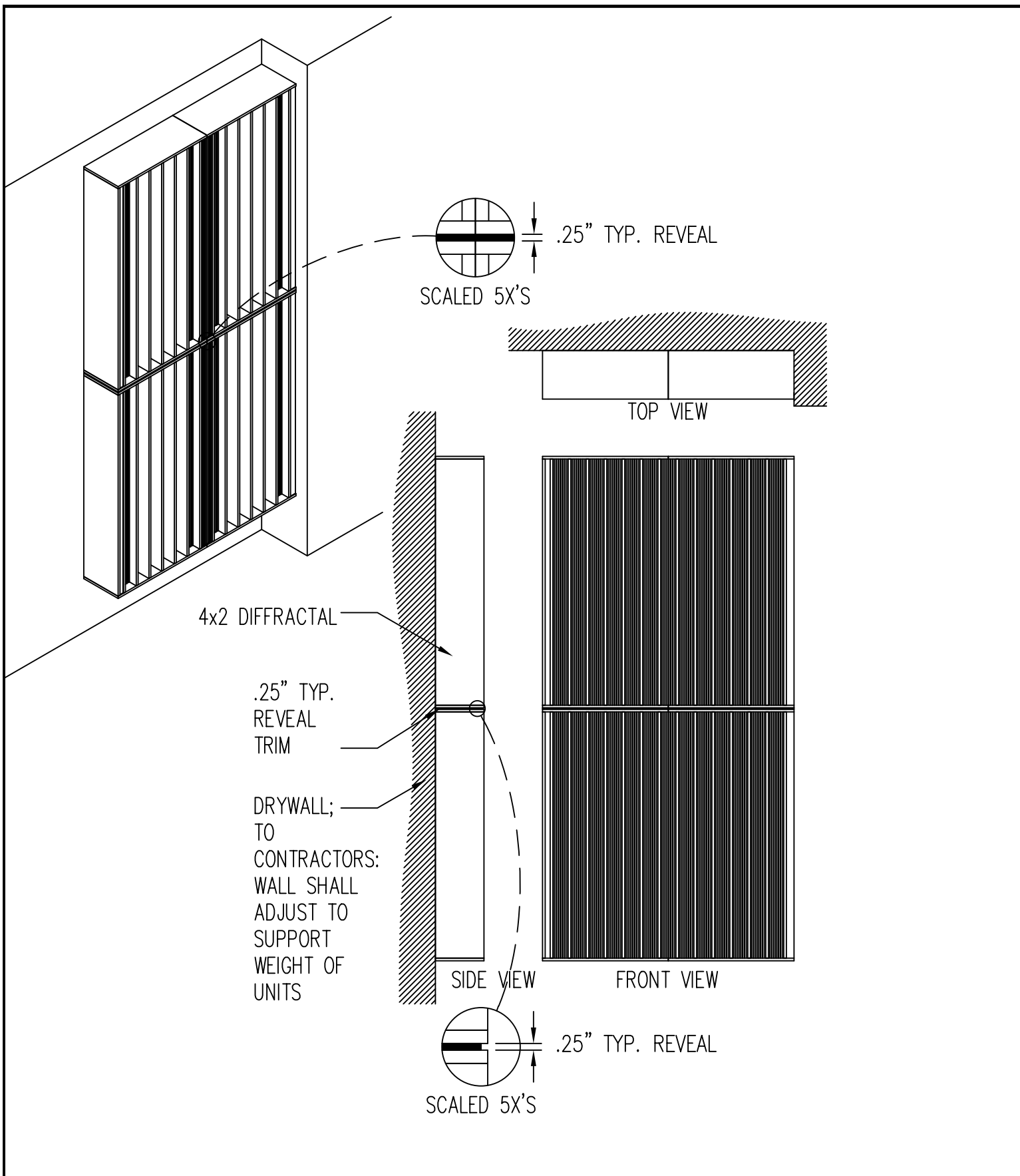


---



---

651-C Commerce Drive, Upper Marlboro MD 20774  
Phone: 301-249-0044 \* Fax: 301-249-3912  
Email: info@rpginc.com



**RPG DIFFUSOR SYSTEMS, INC.**  
 651-C Commerce Drive, Upper Marlboro MD 20774  
 Phone: 301-249-0044 \* Fax: 301-249-3912  
 Email: info@rpginc.com

Title: RPG DIFFRACTAL (4X2)  
 EJ-JH ARRAY

Proj: RPG PRODUCT

Date: 3/27/2009 By: WRM Scale: 3/4"=1'

Path: M:\Products New\IN PROGRESS\_DIFR\_Diffractal\CAD\_DWG\Diffractal Mounting.dwg

Comments:

---



---



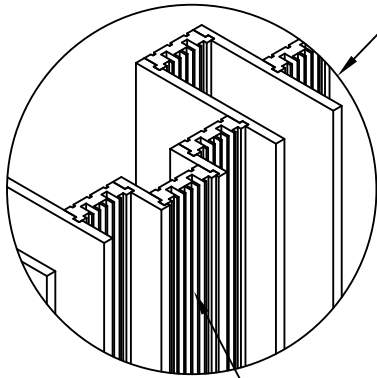
---



---



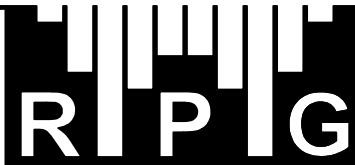
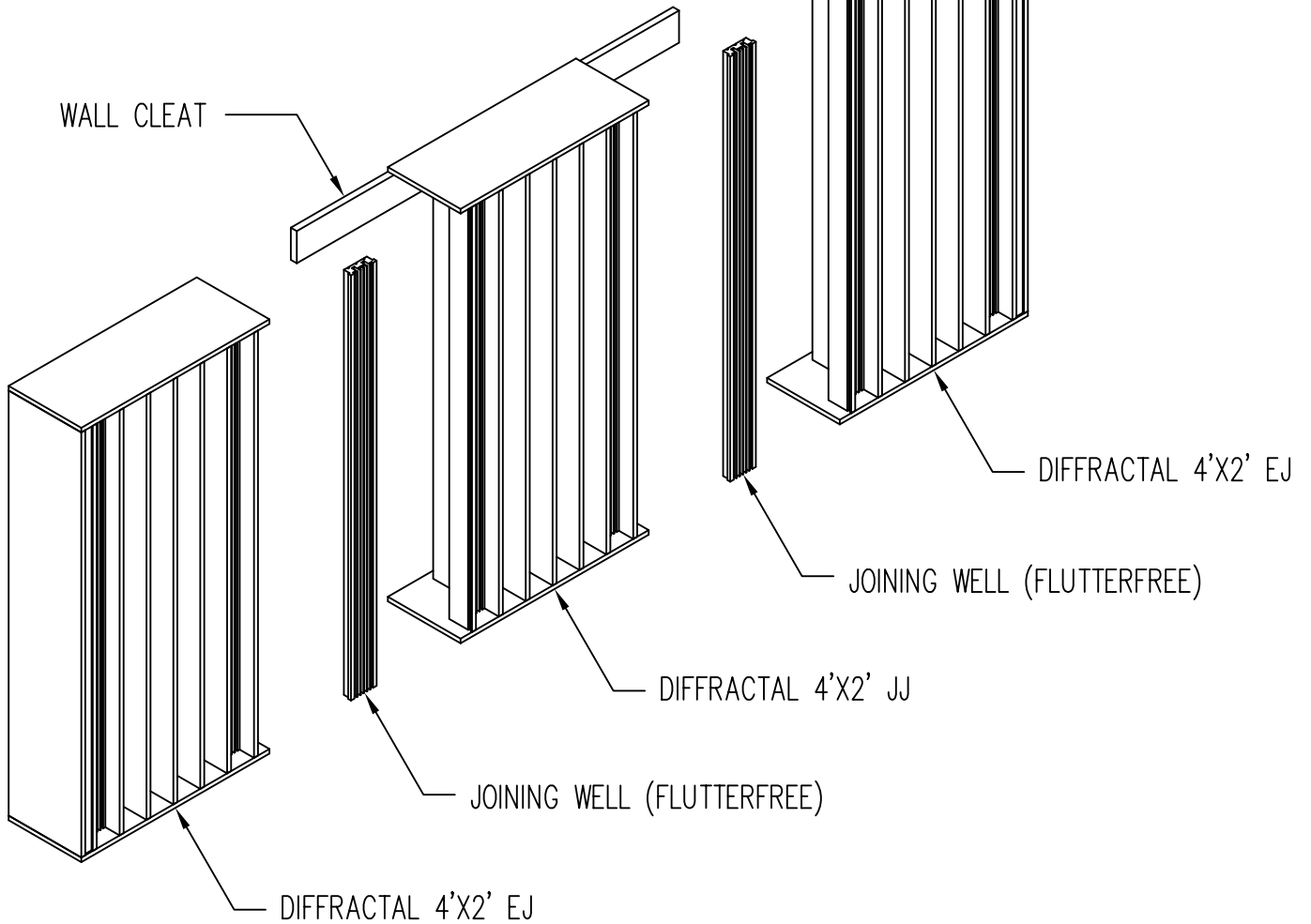
---



EXPLODED SECTION VIEW  
SHOWING JOINING WELL DETAIL  
SCALED 2X'S

JOINING WELL

WALL CLEAT



**RPG DIFFUSOR SYSTEMS, INC.**  
651-C Commerce Drive, Upper Marlboro MD 20774  
Phone: 301-249-0044 \* Fax: 301-249-3912  
Email: info@rpginc.com

Title: RPG DIFFRACTAL (4X2)  
JOINING WELL

Proj: RPG PRODUCT

Date: 3/27/2009 By: WRM

Scale: 3/4" = 1'

Path: M:\Products New\IN PROGRESS\_DIFR\_Diffractal\CAD\_DWG\Diffractal Mainting.dwg

Comments:

---



---



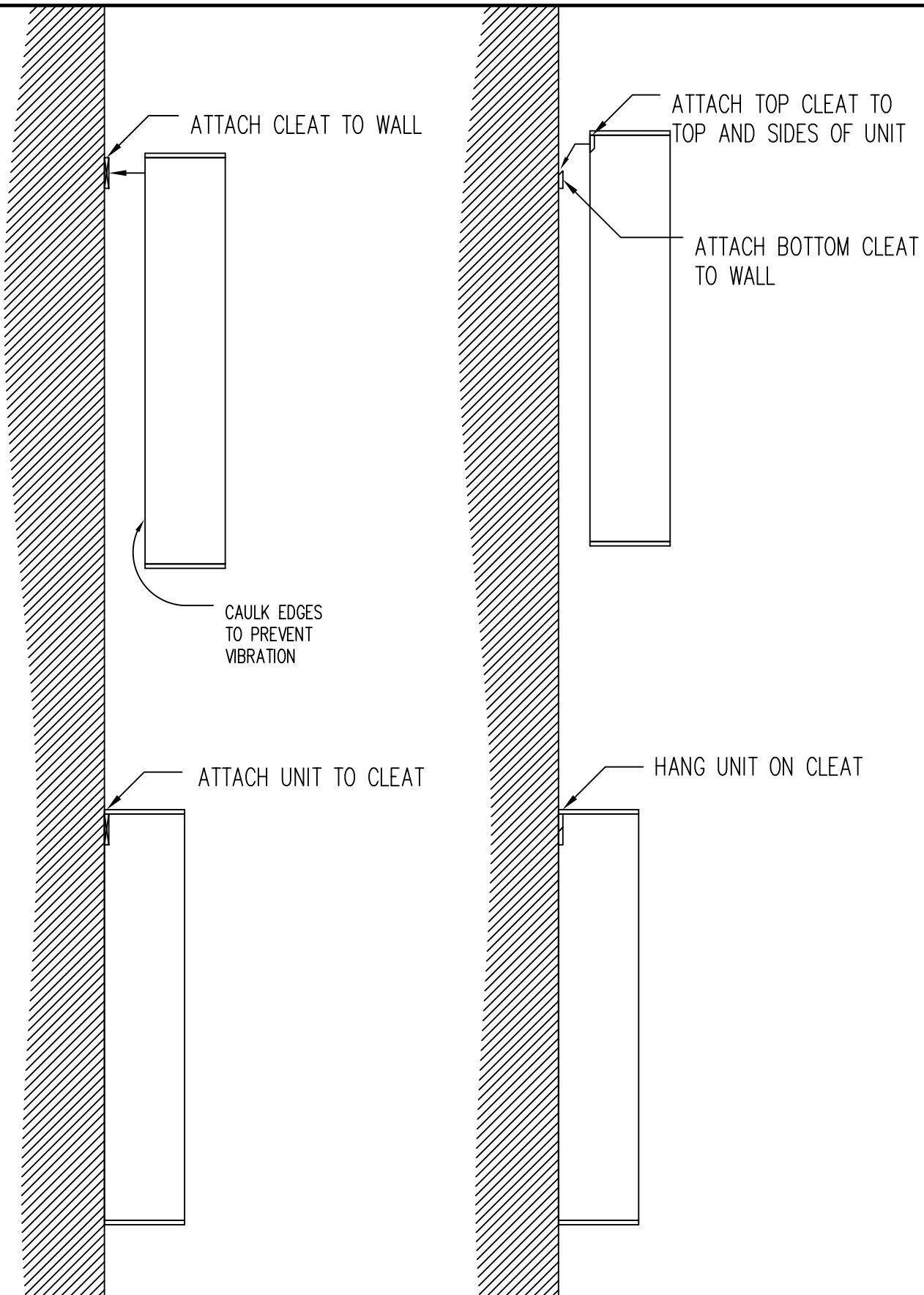
---



---



---



**RPG DIFFUSOR SYSTEMS, INC.**

651-C Commerce Drive, Upper Marlboro MD 20774  
 Phone: 301-249-0044 \* Fax: 301-249-3912  
 Email: info@rpginc.com

Title: RPG DIFFRACTAL (4X2)  
 CLEAT AND BEVELED CLEAT

Proj: RPG PRODUCT

Date: 3/27/2009 By: WRM

Scale: 1"=1'-0"

Comments:

---



---



---



---



---

Path: M:\Products New\IN PROGRESS\_DIFR\_Diffractal\CAD\_DWG\Diffractal Mounting.dwg