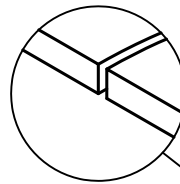
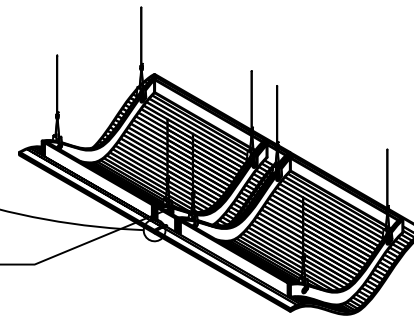


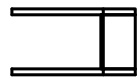
ISOMETRIC



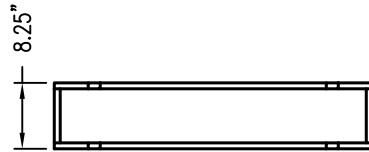
JOINING FRAME CREATES
A .250" REVEAL.



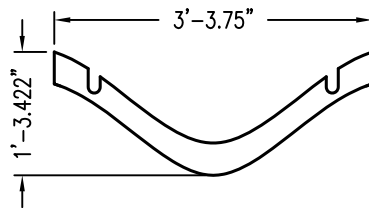
USING WOOD SCREWS, ATTACH
THE RIBS OF THE JOINING FRAME
TO THE RIBS OF THE SPLINES.



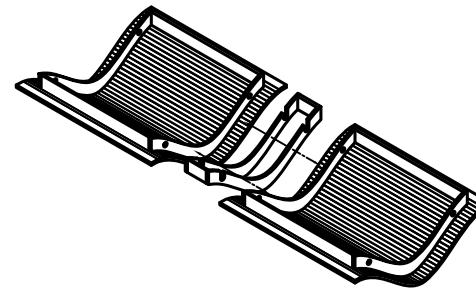
END



TOP



SIDE



RPG DIFFUSOR SYSTEMS, INC.

651-C Commerce Drive, Upper Marlboro MD 20774
Phone: 301-249-0044 * Fax: 301-249-3912
Email: info@rpginc.com

Title: RPG GAUSSIAN 12" - W1
MOUNTING DETAIL - JOINING

Proj: RPG PRODUCT

Date: 9/22/09

By: WRM

Scale: 1/2" = 1'-0"

Comments:

Blank lines for additional comments.

Path: C:\Documents and Settings\jmadison\RPG\INC\Desktop\WFGW_Waveform Gaussian W\CAD_DWG\40 Gaussian W12 Mounting Detail.dwg