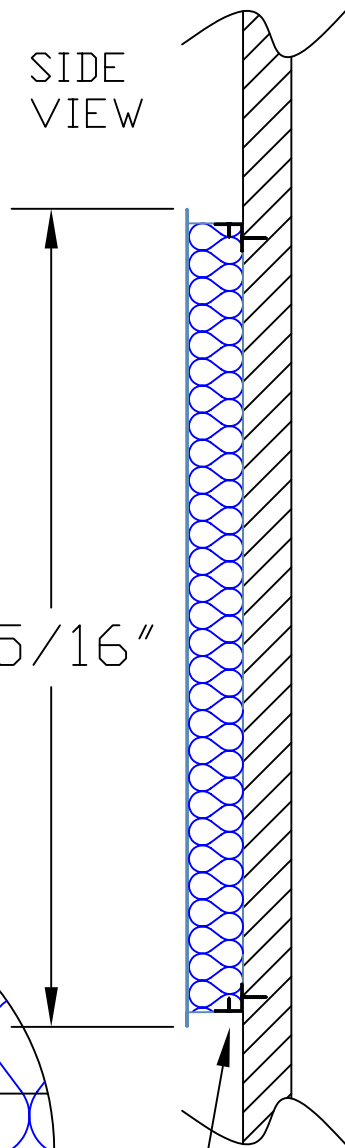


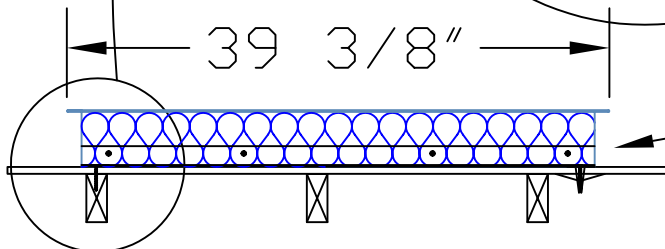
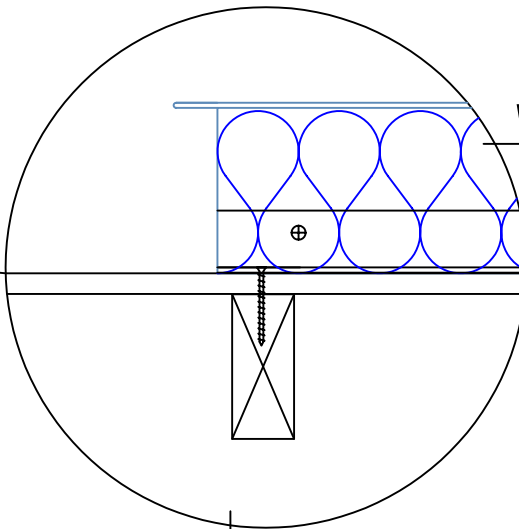
ISOMETRIC VIEW



SIDE VIEW

59 15/16"

SCALED 3X



TOP VIEW

39 3/8"

Angle Bracket  
attachment to  
Unit and Wall,  
into stud or  
drywall with  
appropriate  
anchor.



651-C Commerce Drive, Upper Marlboro MD 20774  
Phone: 301-249-0044 \* Fax: 301-249-3912 \* Email: info@rpginc.com

Title: *Modex Plate Wall A Mount Detail*

Project:

Date: 11/30/2004

By: JSM

Path:

Scale: NTS