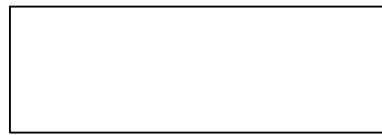
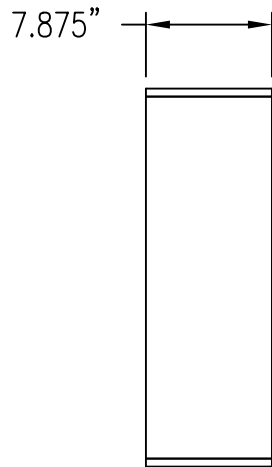


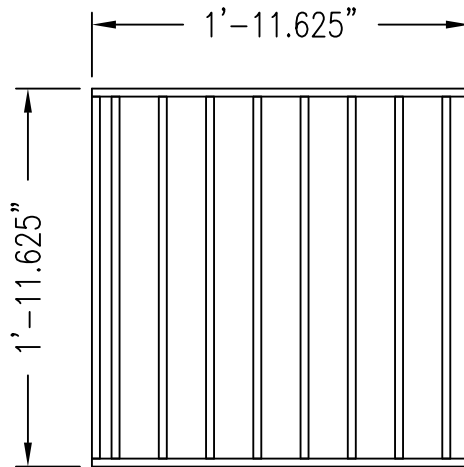
S.W. ISOMETRIC



TOP



SIDE



FRONT



**RPG DIFFUSOR SYSTEMS, INC.**

651-C Commerce Drive, Upper Marlboro MD 20774  
Phone: 301-249-0044 \* Fax: 301-249-3912  
Email: info@rpginc.com

Title: RPG MODFFUSOR 2X2 EHO  
CUTSHEET

Proj: RPG PRODUCT

Date: 4/28/2009 By: WRM

Scale: 1" = 1'-0"

Comments:

\_\_\_\_\_  
\_\_\_\_\_  
\_\_\_\_\_  
\_\_\_\_\_

Path: M:\Products New\MODF\_Modffusor\CAD\_DWG\_Modffusor Cutsheets.dwg