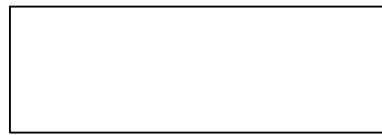
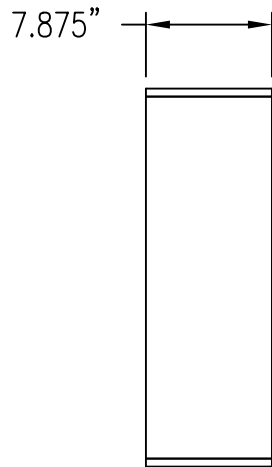


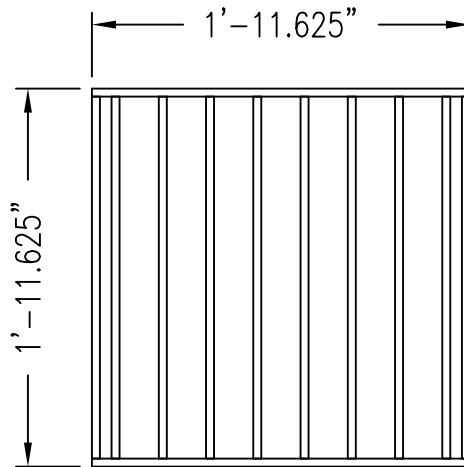
S.W. ISOMETRIC



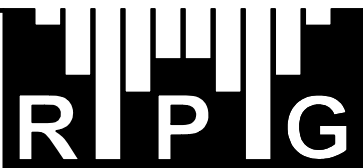
TOP



SIDE



FRONT



**RPG DIFFUSOR SYSTEMS, INC.**  
651-C Commerce Drive, Upper Marlboro MD 20774  
Phone: 301-249-0044 \* Fax: 301-249-3912  
Email: info@rpginc.com

Title: *RPG MODFFUSOR 2X2 EE*  
CUTSHEET

Proj: *RPG PRODUCT*

Date: *4/28/2009* By: *WRM*

Scale: *1"=1'-0"*

Comments:

\_\_\_\_\_  
\_\_\_\_\_  
\_\_\_\_\_  
\_\_\_\_\_

Path: *M:\Products New\MODF\_Modffusor\CAD\_DWG\Modffusor Cutsheets.dwg*