

2x2 QRD

DRYWALL;
TO CONTRACTORS:
WALL SHALL ADJUST
TO SUPPORT WEIGHT
OF UNITS

.25" TYP. REVEAL

- NOTES:
1. TOLERANCE
 2. DIMENSIONS SHOULD BE FIELD VERIFIED PRIOR TO INSTALLATION.

RPG

RPG DIFFUSOR SYSTEMS, INC.

651-C Commerce Drive, Upper Marlboro MD 20774
Phone: 301-249-0044 * Fax: 301-249-3912
Email: info@rpginc.com

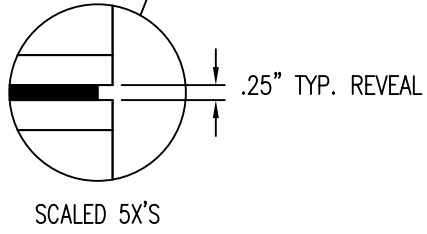
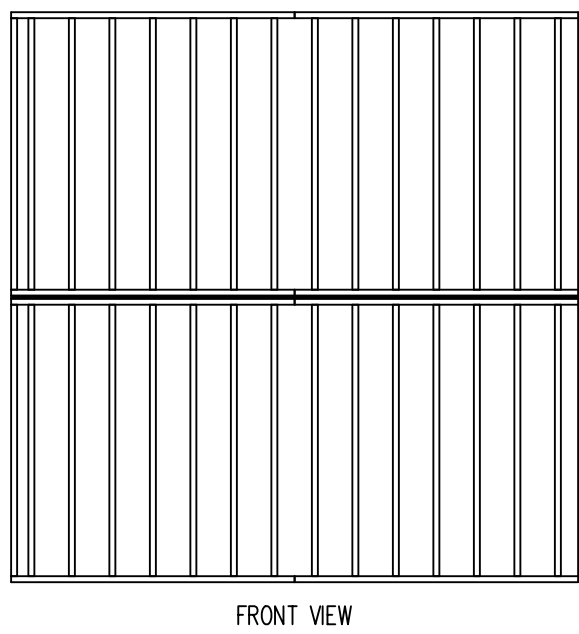
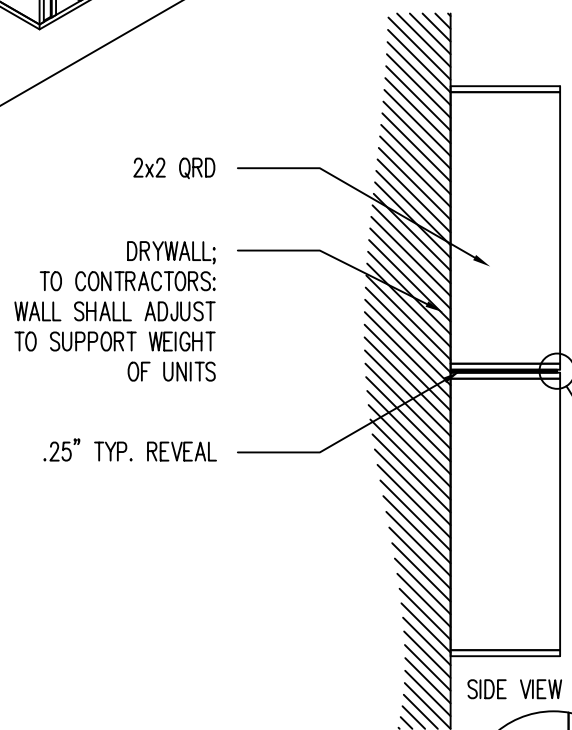
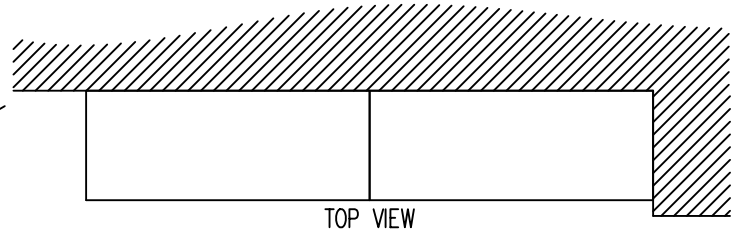
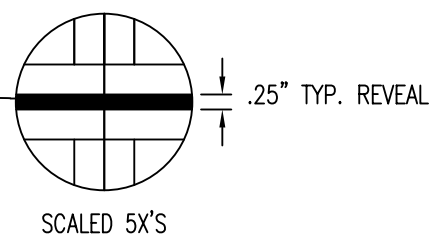
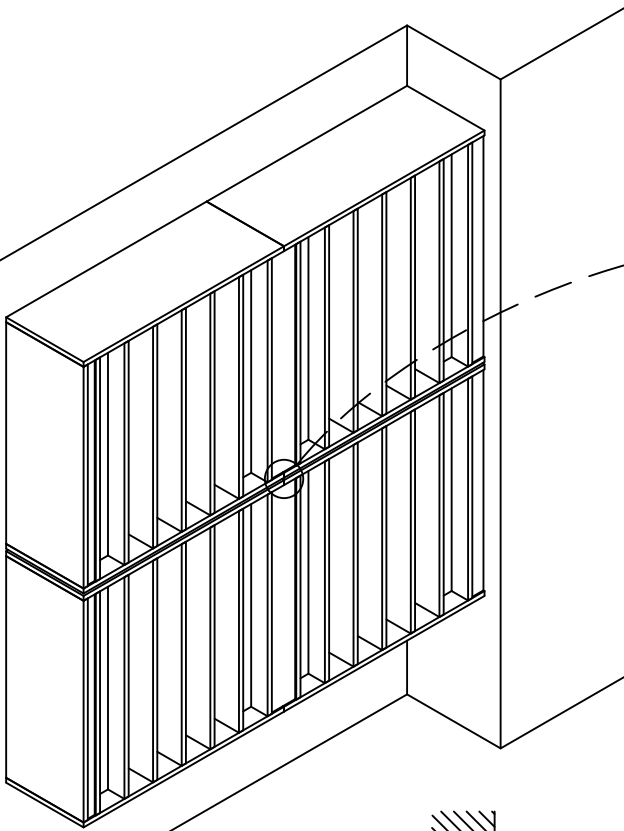
Title: *RPG QRD (2X2)*
EE-EH ARRAY

Proj: *RPG PRODUCT*

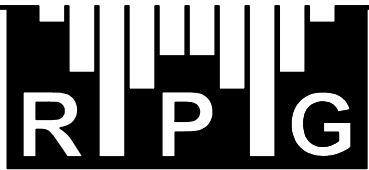
Date: *3/27/2009* By: *WRM* Scale: *3/4" = 1'*

Path: *M:\Products New\IN PROGRESS_QRD7_QRD 754\CAD_DWG\QRD Mounting.dwg*

Comments:



NOTES:
1. TOLERANCE
2. DIMENSIONS SHOULD BE FIELD
VERIFIED PRIOR TO INSTALLATION.



RPG DIFFUSOR SYSTEMS, INC.
651-C Commerce Drive, Upper Marlboro MD 20774
Phone: 301-249-0044 * Fax: 301-249-3912
Email: info@rpginc.com

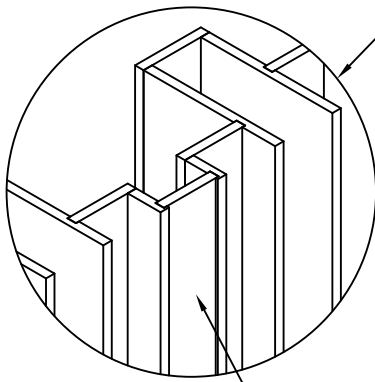
Title: **RPG QRD (2X2)
EJ-JH ARRAY**

Proj: **RPG PRODUCT**

Date: **3/27/2009** By: **WRM** Scale: **3/4"=1'**

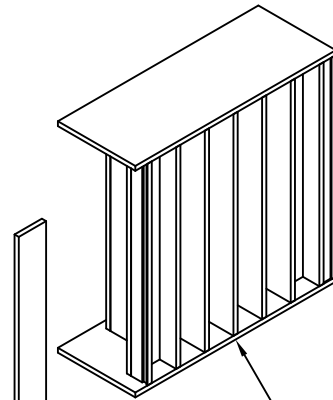
Path: **M:\Products New\IN PROGRESS_QRD7_QRD 734\CAD_DWG\QRD Mounting.dwg**

Comments:



EXPLODED SECTION VIEW
SHOWING JOINING WELL DETAIL
SCALED 2X'S

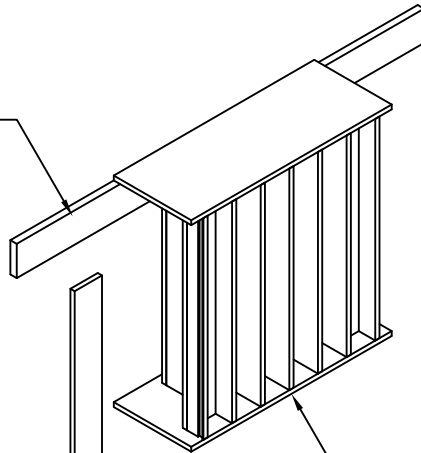
JOINING WELL



QRD 2'X2' EJ

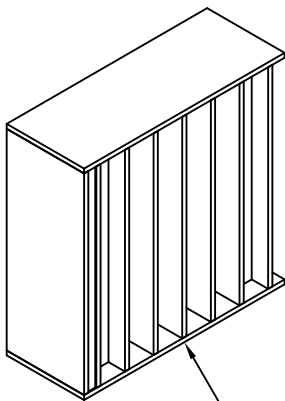
JOINING WELL

WALL CLEAT



QRD 2'X2' JJ

JOINING WELL



QRD 2'X2' EJ



RPG DIFFUSOR SYSTEMS, INC.

651-C Commerce Drive, Upper Marlboro MD 20774
Phone: 301-249-0044 * Fax: 301-249-3912
Email: info@rpginc.com

Title: *RPG QRD (2X2)*
JOINING WELL

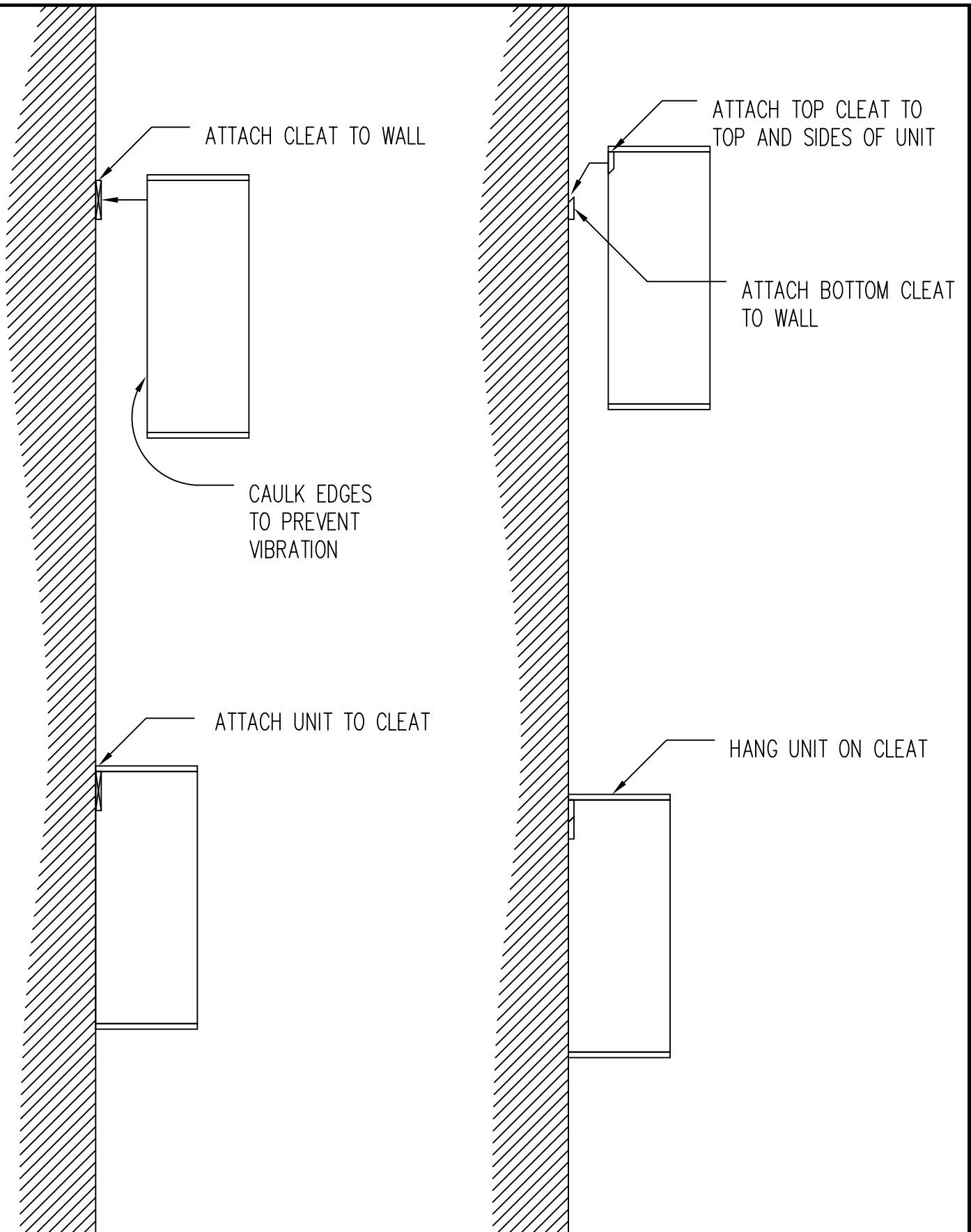
Proj: *RPG PRODUCT*

Date: *3/27/2009* By: *WRM*

Scale: *3/4" = 1'*

Path: *M:\Products New\IN PROGRESS_QRD7_QRD 754\CAD_DWG\QRD Mounting.dwg*

Comments:



RPG DIFFUSOR SYSTEMS, INC.
 651-C Commerce Drive, Upper Marlboro MD 20774
 Phone: 301-249-0044 * Fax: 301-249-3912
 Email: info@rpginc.com

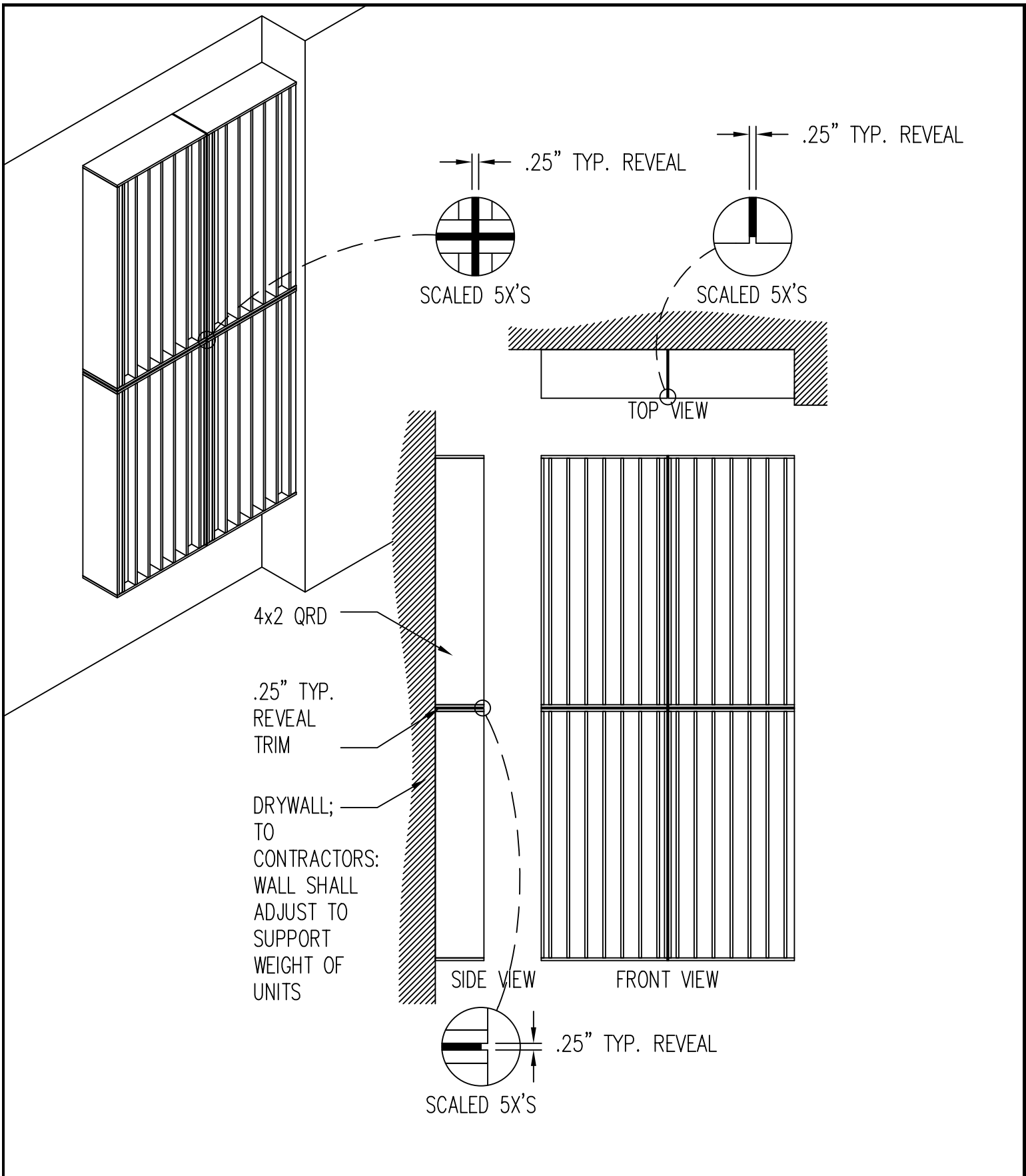
Title: *RPG QRD (2X2)
 CLEAT AND BEVELED CLEAT*

Proj: *RPG PRODUCT*

Date: *3/27/2009* By: *WRM* Scale: *1"=1'-0"*

Path: *M:\Products New\IN PROGRESS_QRD7_QRD 754\CAD_DWG\QRD Mounting.dwg*

Comments:



RPG DIFFUSOR SYSTEMS, INC.
 651-C Commerce Drive, Upper Marlboro MD 20774
 Phone: 301-249-0044 * Fax: 301-249-3912
 Email: info@rpginc.com

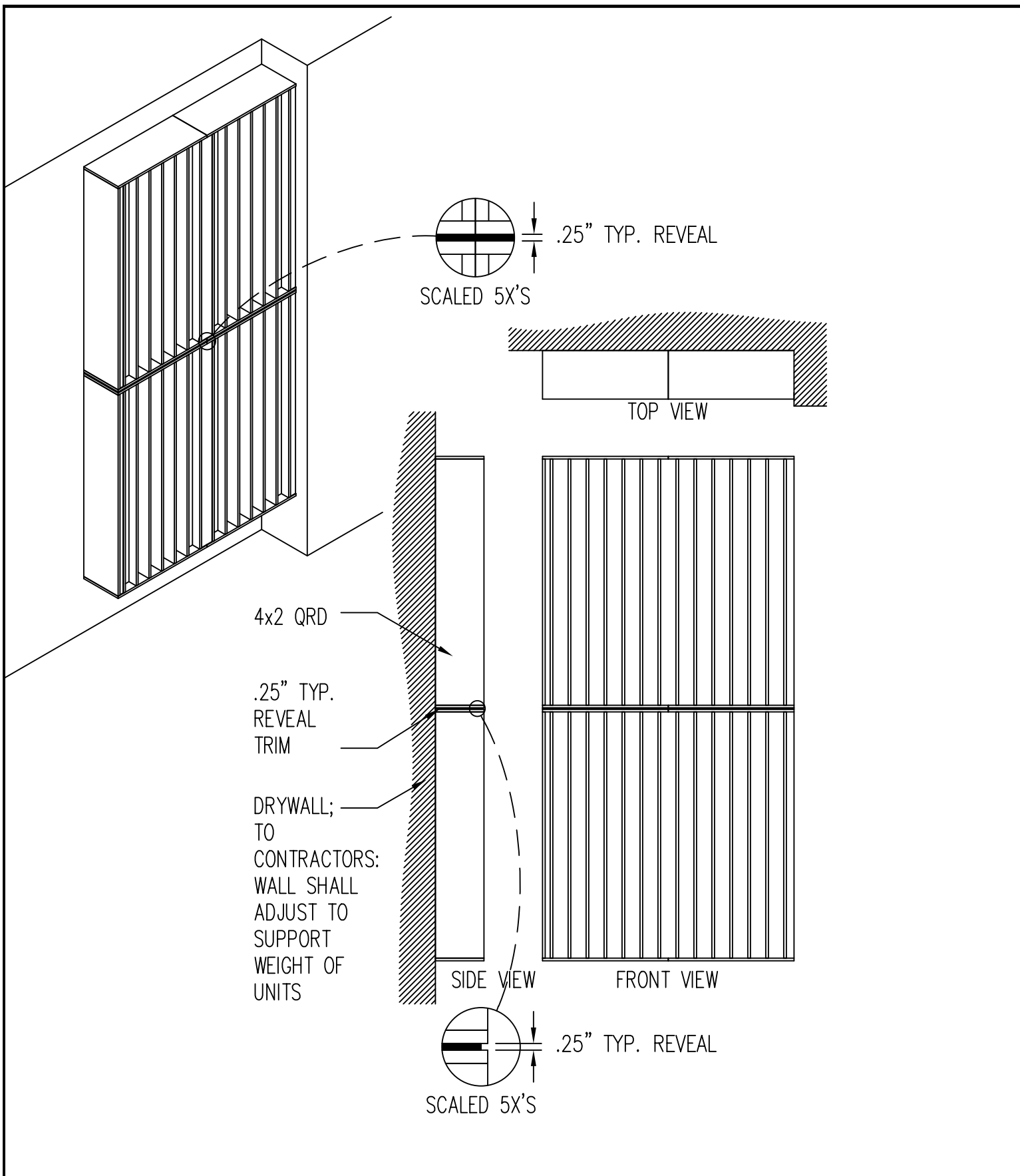
Title: *RPG QRD (4X2)*
EE-EH ARRAY

Proj: *RPG PRODUCT*

Date: *3/27/2009* By: *WRM* Scale: *3/4"=1'*

Path: *M:\Products New\IN PROGRESS_QRD7_QRD 734\CAD_DWG\QRD Mounting.dwg*

Comments:



RPG DIFFUSOR SYSTEMS, INC.

651-C Commerce Drive, Upper Marlboro MD 20774
Phone: 301-249-0044 * Fax: 301-249-3912
Email: info@rpginc.com

Title: RPG QRD (4X2)
EJ-JH ARRAY

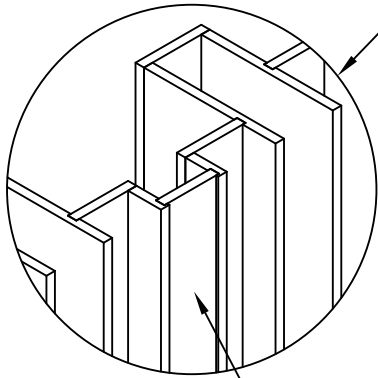
Proj: RPG PRODUCT

Date: 3/27/2009 By: WRM

Scale: 3/4" = 1'

Comments:

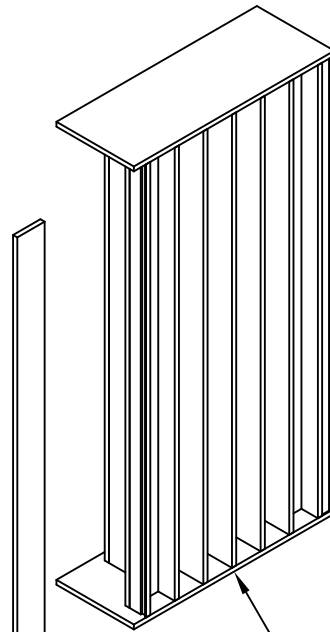
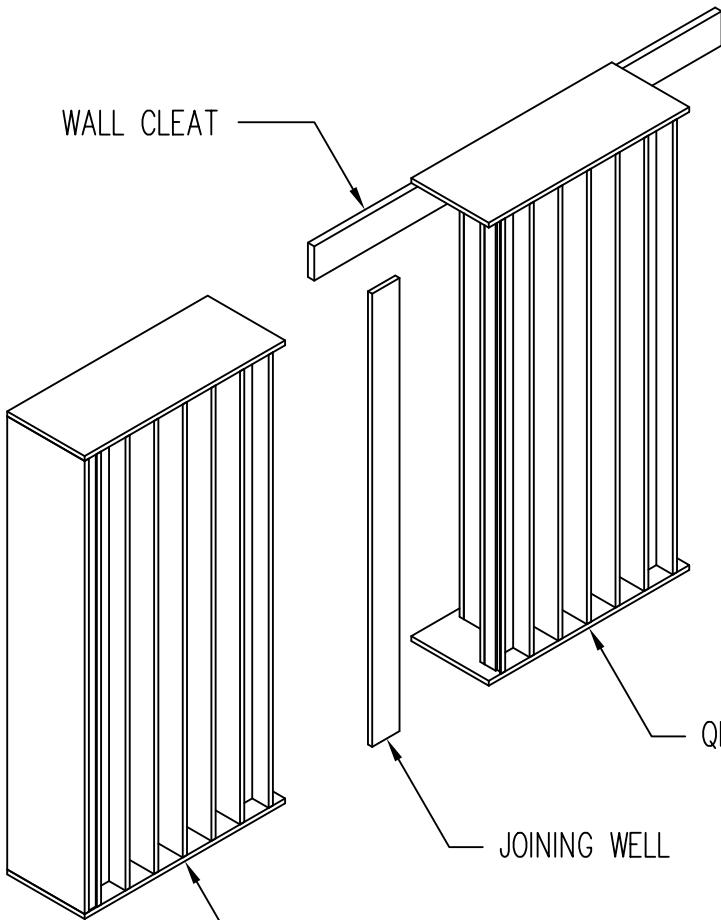
Path: M:\Products New\IN PROGRESS_QRD7_QRD 734\CAD_DWG\QRD Mounting.dwg



EXPLODED SECTION VIEW
SHOWING JOINING WELL DETAIL
SCALED 2X'S

JOINING WELL

WALL CLEAT



QRD 4'X2' EJ

JOINING WELL

QRD 4'X2' JJ

JOINING WELL

QRD 4'X2' EJ



RPG DIFFUSOR SYSTEMS, INC.
651-C Commerce Drive, Upper Marlboro MD 20774
Phone: 301-249-0044 * Fax: 301-249-3912
Email: info@rpginc.com

Title: RPG QRD (4X2)
JOINING WELL

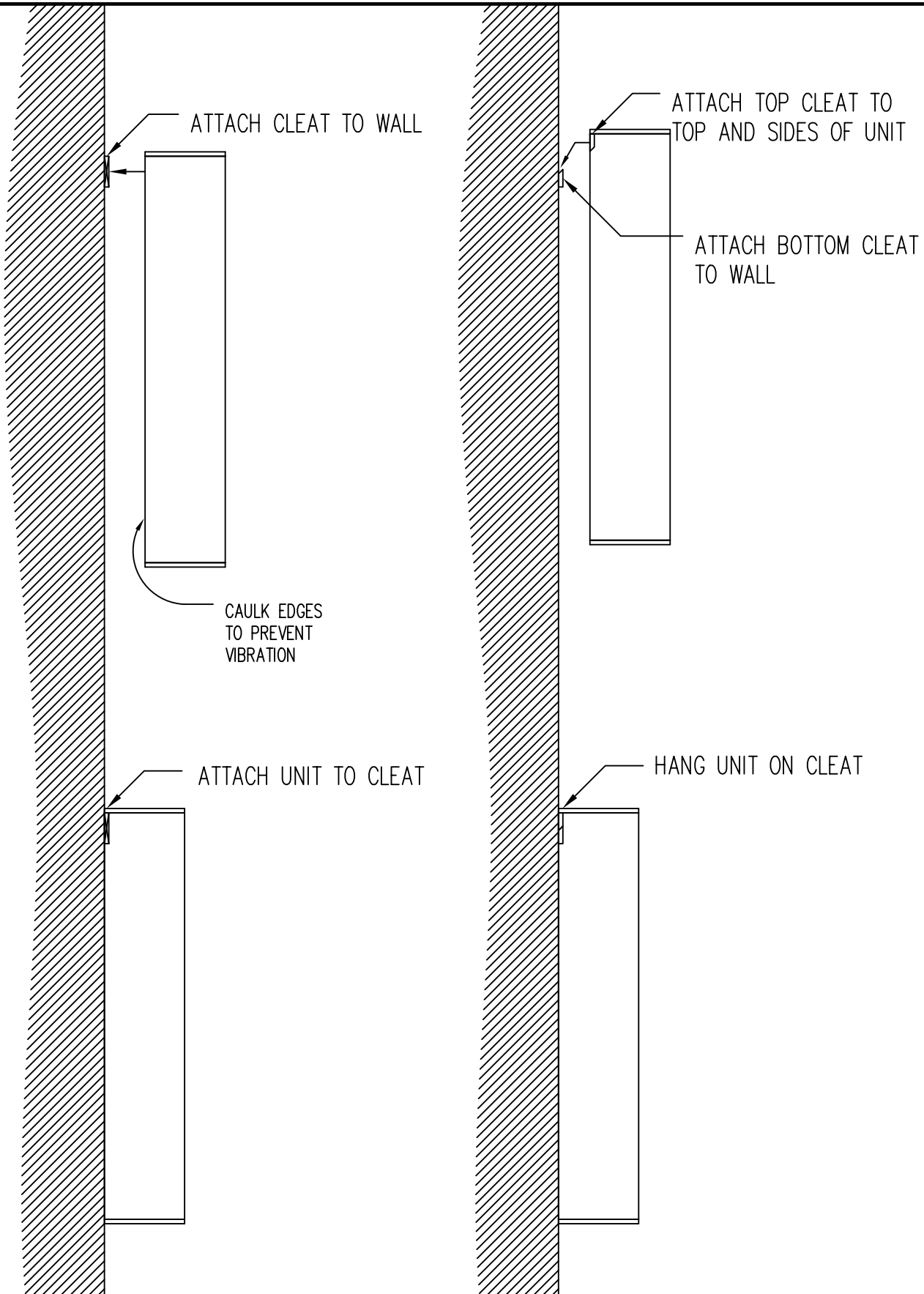
Proj: RPG PRODUCT

Date: 3/27/2009 By: WRM

Scale: 3/4"=1'

Comments:

Path: M:\Products New\IN PROGRESS_QRD7_QRD 754\CAD_DWG\QRD Mounting.dwg



RPG DIFFUSOR SYSTEMS, INC.
 651-C Commerce Drive, Upper Marlboro MD 20774
 Phone: 301-249-0044 * Fax: 301-249-3912
 Email: info@rpginc.com

Title: RPG QRD (4X2)
 CLEAT AND BEVELED CLEAT

Proj: RPG PRODUCT

Date: 3/27/2009 By: WRM Scale: 1"=1'-0"

Path: M:\Products New\IN PROGRESS_QRD7_QRD 754\CAD_DWG\QRD Mounting.dwg

Comments:
