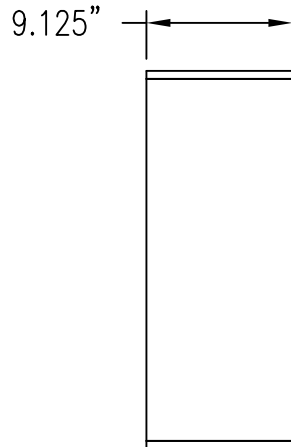


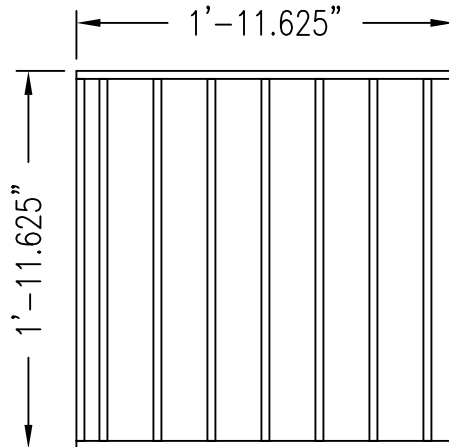
S.W. ISOMETRIC



TOP



SIDE



FRONT



**RPG DIFFUSOR SYSTEMS, INC.**

651-C Commerce Drive, Upper Marlboro MD 20774  
Phone: 301-249-0044 \* Fax: 301-249-3912  
Email: info@rpginc.com

Title: *RPG QRD 2X2 EH*  
*CUTSHEET*

Proj: *RPG PRODUCT*

Date: *3/24/2008* By: *WRM*

Scale: *1"=1'-0"*

Comments:

\_\_\_\_\_  
\_\_\_\_\_  
\_\_\_\_\_  
\_\_\_\_\_

Path: *M:\Products New\IN PROGRESS\_QRD7\_QRD 754\CAD\_DWG\QRD Cutsheets.dwg*