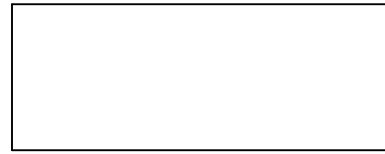
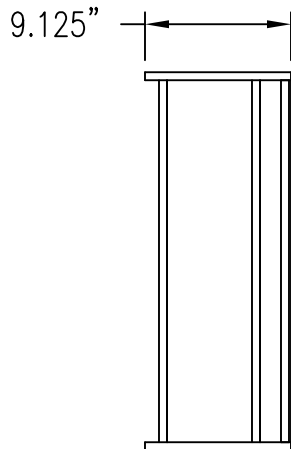


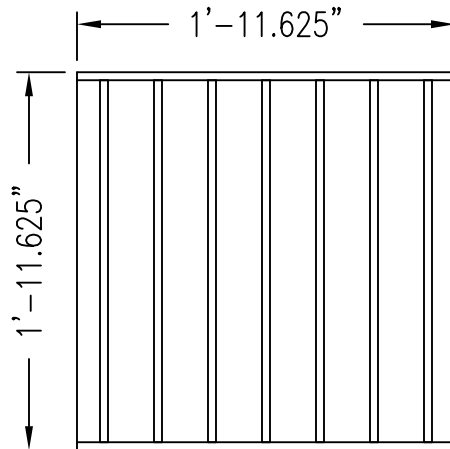
S.W. ISOMETRIC



TOP



SIDE



FRONT



RPG DIFFUSOR SYSTEMS, INC.

651-C Commerce Drive, Upper Marlboro MD 20774
Phone: 301-249-0044 * Fax: 301-249-3912
Email: info@rpginc.com

Title: *RPG QRD 2X2 HH*
CUTSHEET

Proj: *RPG PRODUCT*

Date: *3/24/2008* By: *WRM*

Scale: *1"=1'-0"*

Comments:

Path: *M:\Products New\IN PROGRESS_QRD7_QRD 754\CAD_DWG\QRD Cutsheets.dwg*