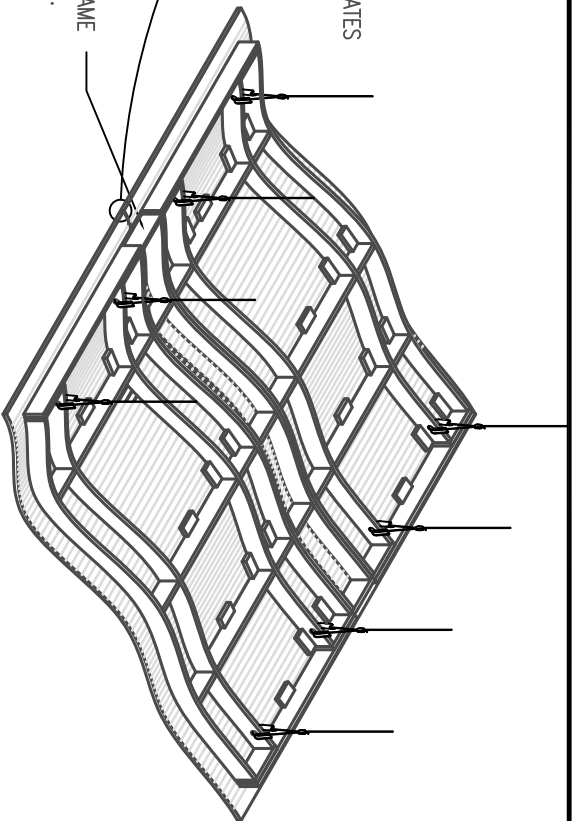
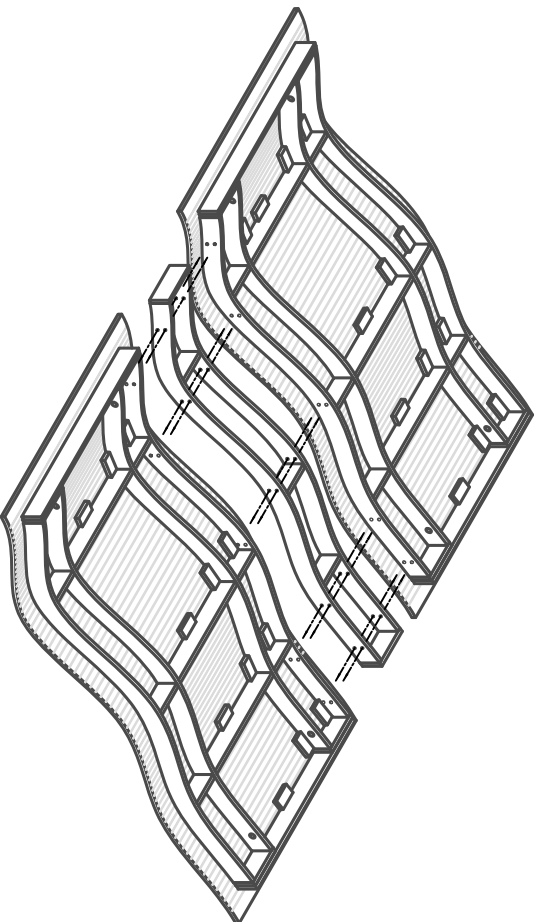
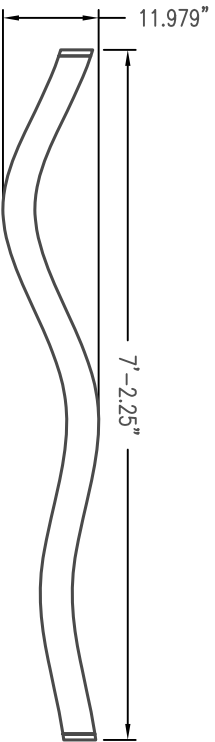


JOINING FRAME CREATES
A .250" REVEAL.

USING WOOD SCREWS, ATTACH
THE RIBS OF THE JOINING FRAME
TO THE RIBS OF THE SPLINES.



END



RPG

RPG DIFFUSOR SYSTEMS, INC.

651-C Commerce Drive, Upper Marlboro, MD 20774
Phone: 301-249-0044 * Fax: 301-249-3912
Email: info@rpginc.com

Title: RPG WAVEFORM SPLINE-WI
MOUNTING DETAIL - JOINING

Proj: RPG PRODUCT

Date: 7/22/09

By: WEM

Scale: 1/2" = 1'-0"

Comments:

Path: M:\Products\New\WF5W_Waveform Spline-WI\CAD_DWG\Spline-WI Mounting Details