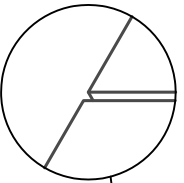
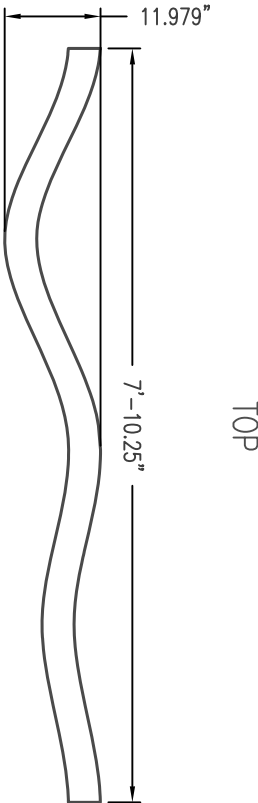
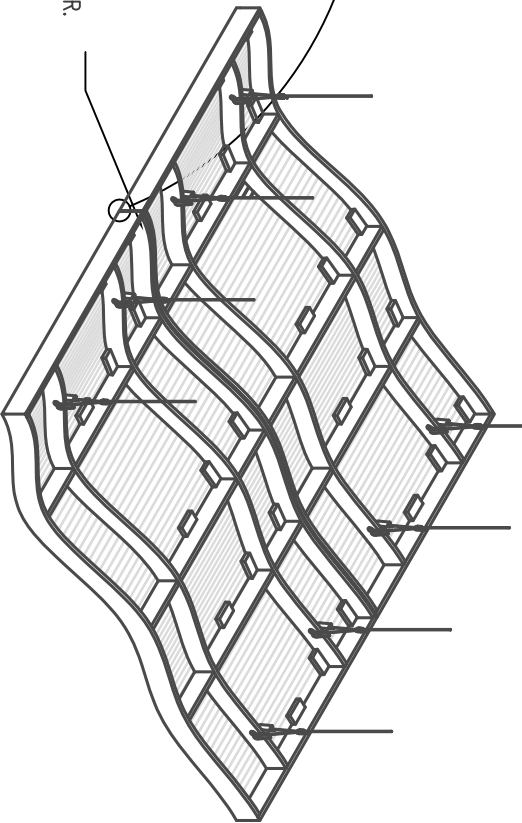


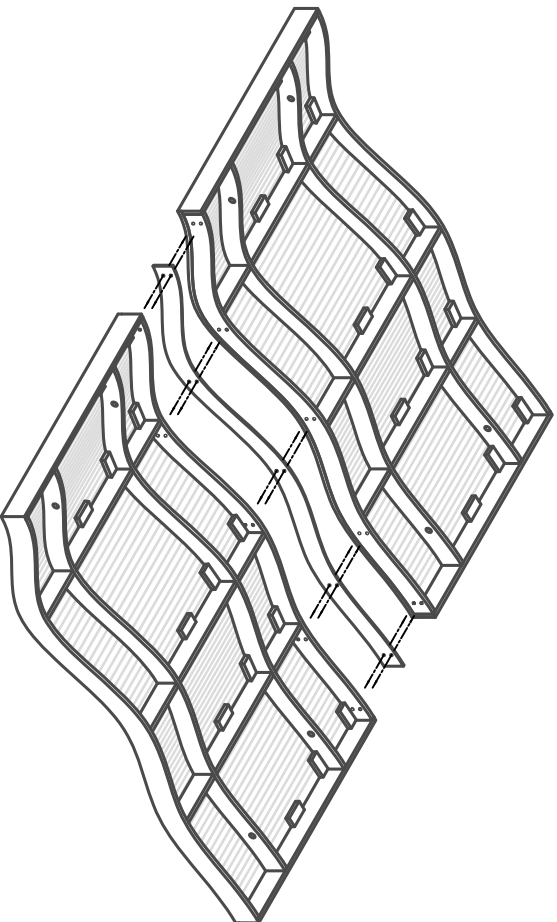
SPACER CREATES A .250" REVEAL.
SEE 'MOUNTING DETAIL-REVEAL'



USING WOOD SCREWS, ATTACH
THE SPLINES THROUGH SPACER.



END



RIPPLE

RPG DIFFUSOR SYSTEMS, INC.

651-C Commerce Drive, Upper Marlboro, MD 20774
Phone: 301-249-0044 * Fax: 301-249-3912
Email: info@rpginc.com

Title: RPG WAVEFORM SPLINE-WR
MOUNTING DETAIL - SPACER

Proj: RPG PRODUCT

Date: 7/22/09

By: WGM

Scale: 1/2" = 1'-0"

Comments:

Path: M:\Products New\WF5W_Waveform Spline WR\CAD_DWG\Spline-WR Mounting Details