

**TOPPERFO WALL PANEL 50MM SYSTEM PLAN**

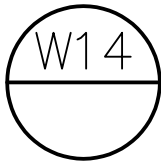
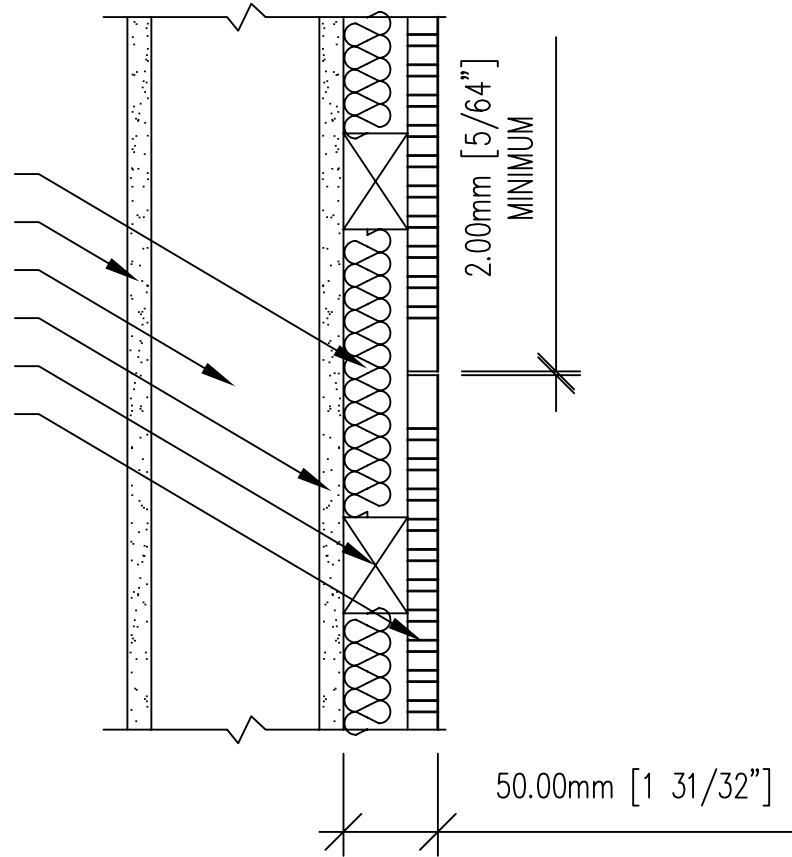
3" = 1'

REV. A 11/07/03

**RPG**  
RPG DIFFUSOR SYSTEMS, INC.  
651-C Commerce Drive, Upper Marlboro MD 20774  
Phone: 301-249-0044 \* Fax: 301-249-3912  
Email: info@rpginc.com

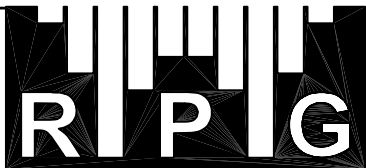
Title: TOPPERFO WALL PANEL 50MM SYSTEM FIRING PLAN DETAIL W13			Comments: _____ _____ _____ _____
Proj: _____			
Date: 11/07/03	By: TJS	Scale: 1:1	
Path: K:\ENGINEERING\CAD FILES\Product\TOP\Topperfo\Walls\Panels (Modular)\Architectural Details\W13 & W14.dxf			

1" BLACK GLASS FIBER (3PCF) BETWEEN BLOCKING  
 1/2" DRYWALL  
 METAL FRAMING  
 1/2" DRYWALL  
 BLOCKING  
 17MM (43/64") TOPPERFO PANEL (TYP.)



**TOPPERFO WALL PANEL 50MM SYSTEM SECTION**

REV. A 11/07/03



Title: TOPPERFO WALL PANEL 50MM SYSTEM FIRING SECTION DETAIL W14

Comments:  
 \_\_\_\_\_  
 \_\_\_\_\_  
 \_\_\_\_\_  
 \_\_\_\_\_

Proj:

Date: 11/07/03

By: T.S

Scale: 1:1

Path: K:\ENGINEERING\CAD FILES\Product\TOP\Topperfo\Walls\Panels (Modular)\Architectural Details\W13 & W14.dxf